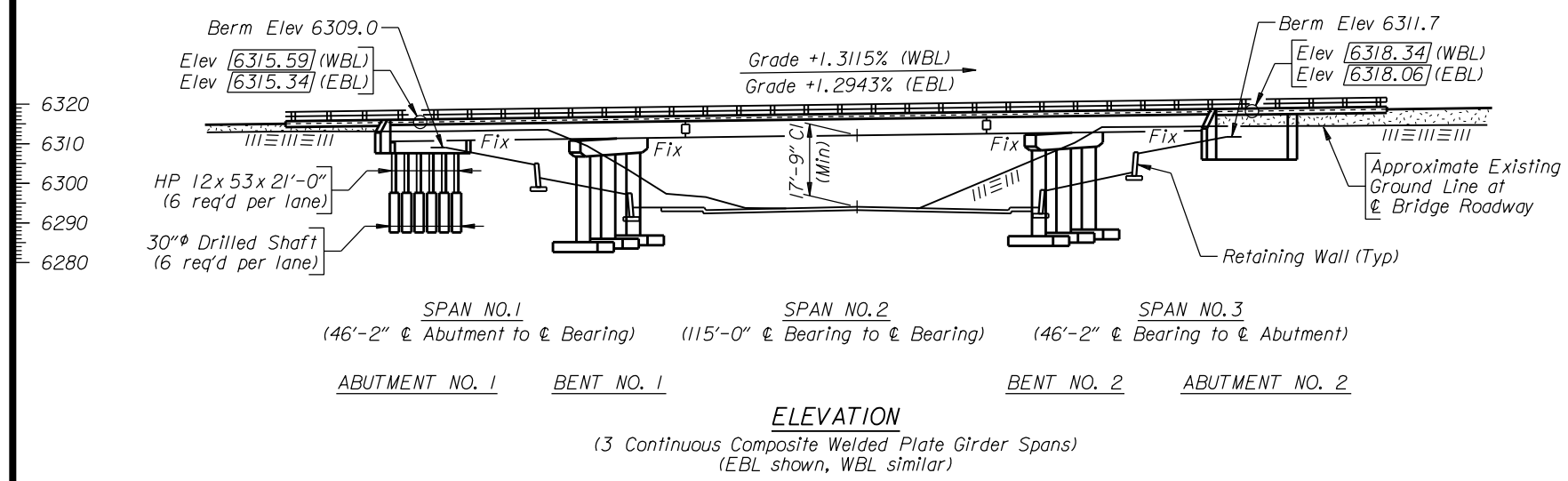
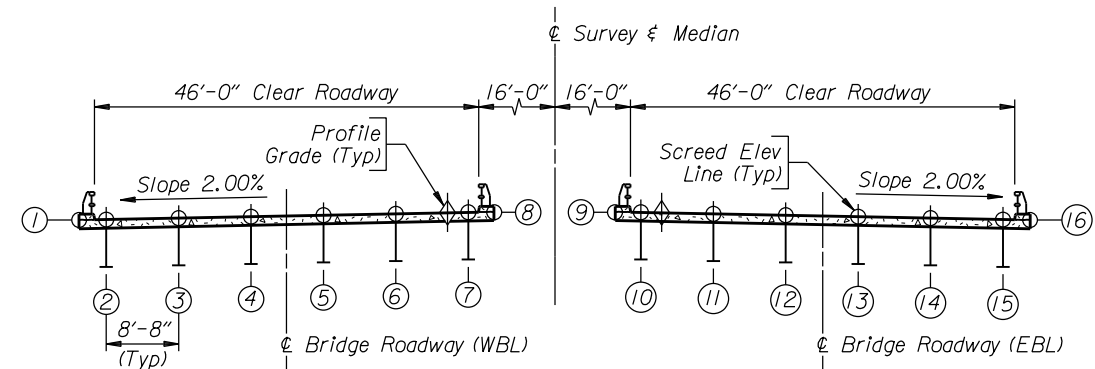
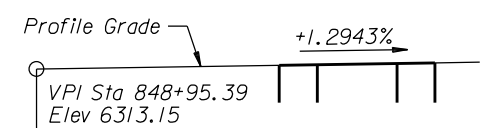
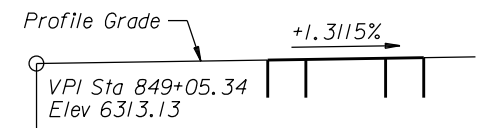
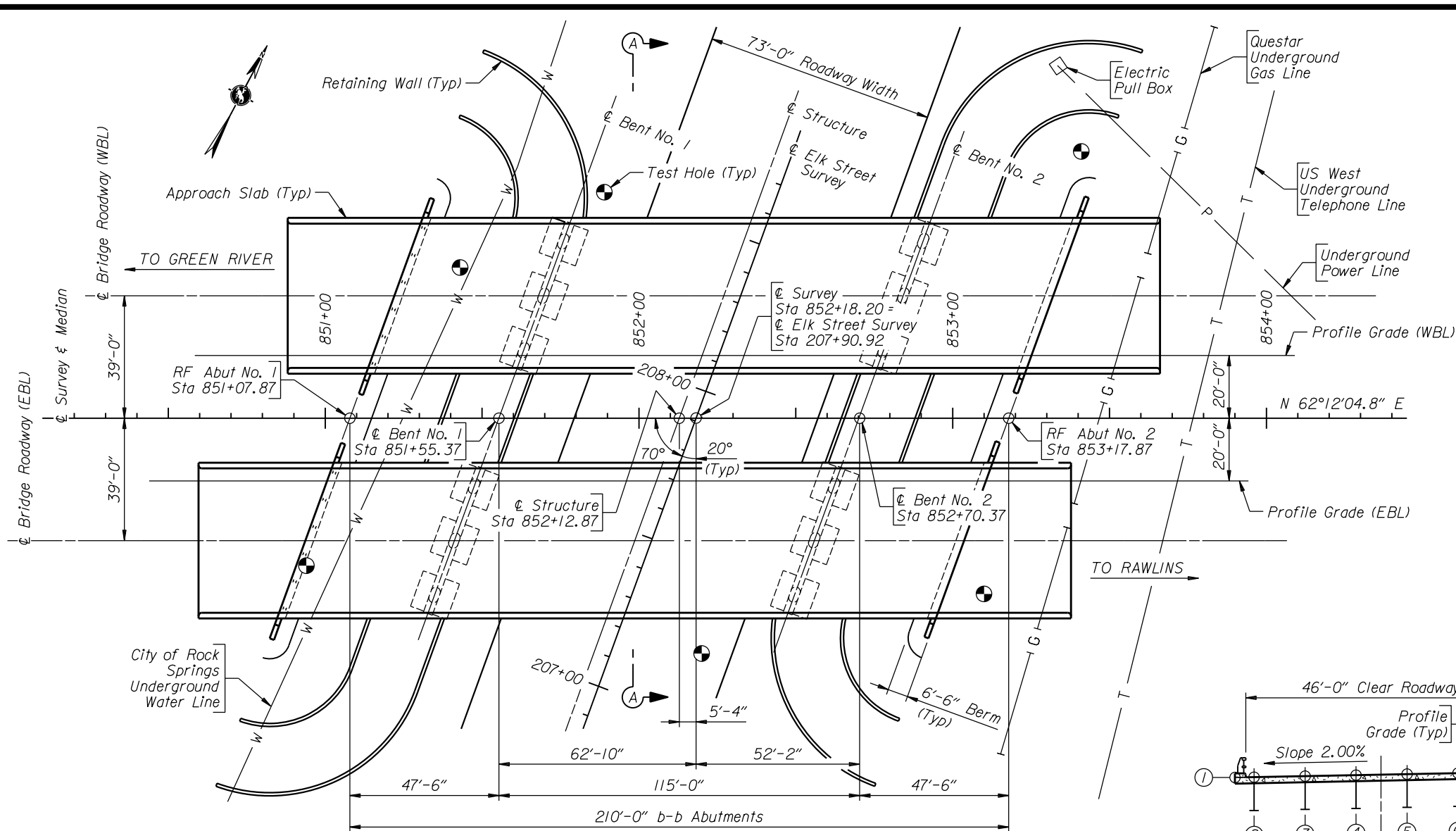


Dec 2008

4.21 - Example

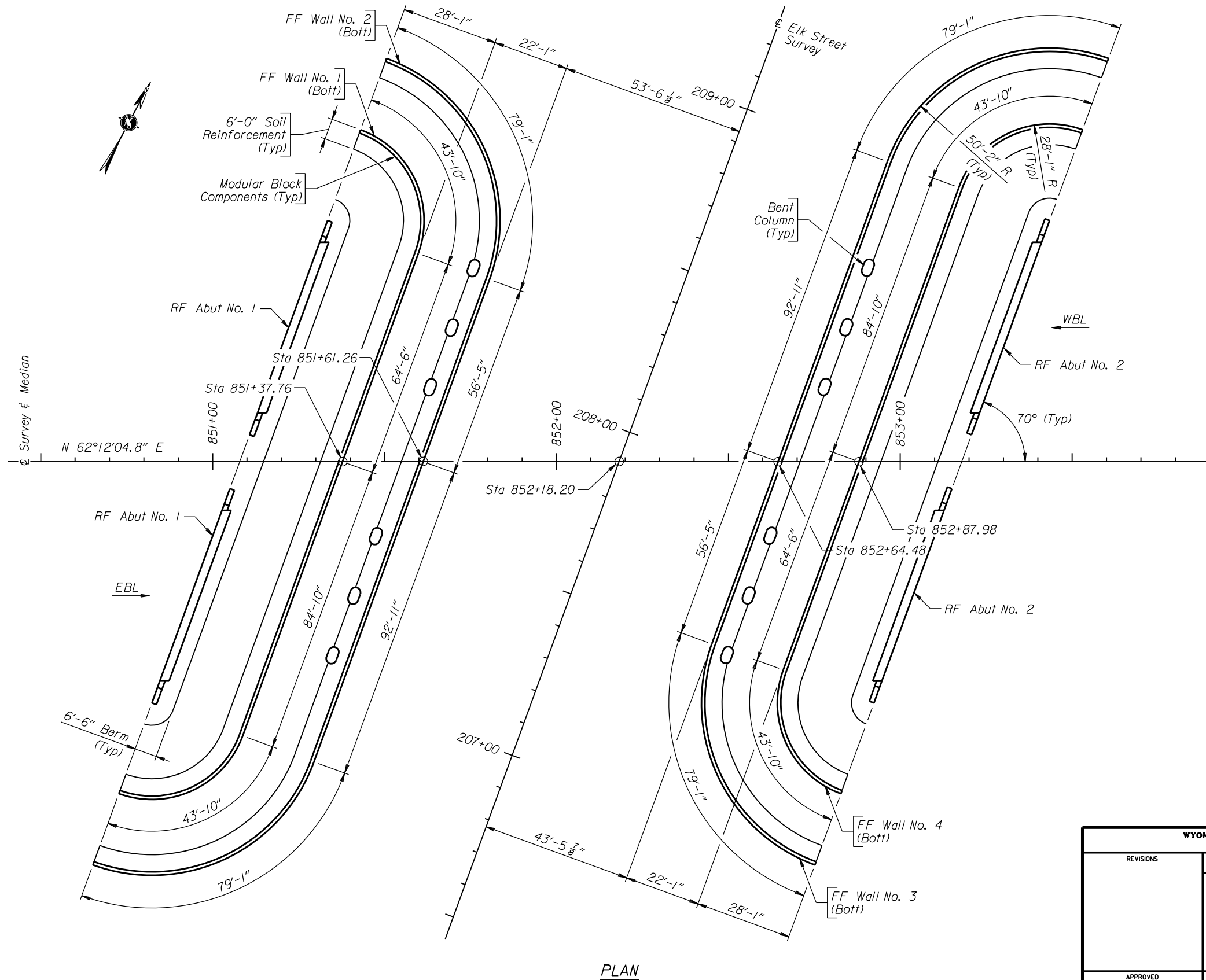
Wyo. Proj. 0802173
Sheet B109 of B178 Sheets



Note: Elevations shown as 6315.59 indicate finished grade at rear face abutment on ϕ Bridge Roadway.

WYOMING DEPARTMENT OF TRANSPORTATION BRIDGE PROGRAM	
GENERAL PLAN AND ELEVATION	
ELK STREET INTERCHANGE STA 852+18.20 Rock Springs Marginal Elk Street & Killpecker Creek Section 1080-02(173) Sw	
APPROVED	DESIGN <input checked="" type="checkbox"/> <input type="checkbox"/>
DATE	DETAIL <input checked="" type="checkbox"/> <input type="checkbox"/> <input type="checkbox"/>
Design Section B C Def	
Drwg. No. 0020 Sheet 3 of 27	

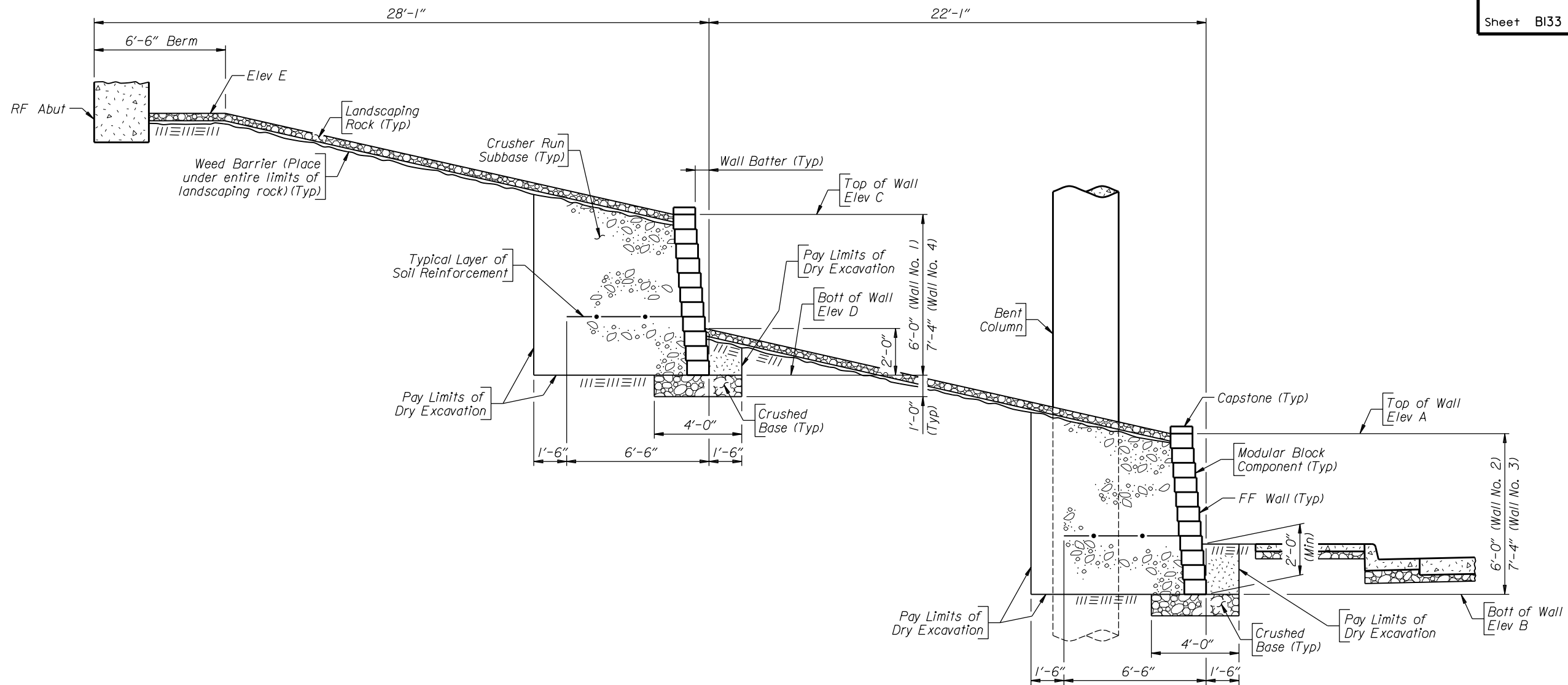
Section 4.21 - Earth Retaining Structures



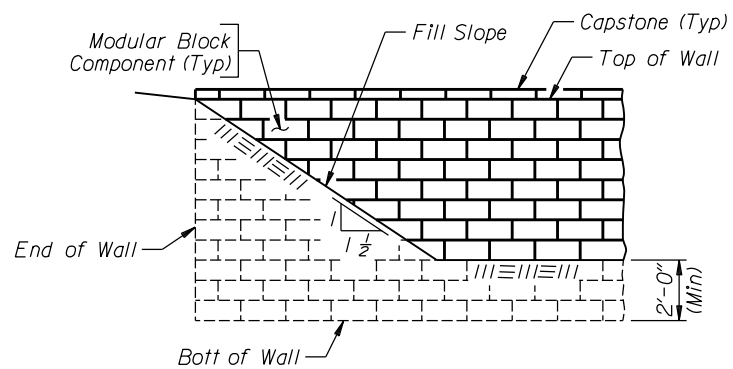
PLAN

Section 4.21 - Earth Retaining Structures

WYOMING DEPARTMENT OF TRANSPORTATION			
BRIDGE PROGRAM			
REVISIONS	RETAINING WALL DETAILS		
	ELK STREET INTERCHANGE		
	STA 852+18.20		
	Rock Springs Marginal		
Elk Street & Killpecker Creek Section			
0802173 Sw			
APPROVED	DESIGN TTT ✓ YYY	Design Section B C Def	
DATE	DETAIL RRR ✓ TTT	Drwg. No. 0020 Sheet 26 of 27	
	0'S. RRR ✓ SSS		



TYPICAL SECTION



FILL SLOPE TRANSITION DETAIL
(Looking at front face wall)
(Landscaping rock not shown)

Note: Top of wall elevations do not include correction for soil reinforcement thickness.

TABLE OF ELEVATIONS		
Elevation	Abut No. 1	Abut No. 2
A	6297.50	6298.83
B	6291.50	6291.50
C	6305.00	6307.83
D	6299.00	6300.50
E	6309.00	6311.70

WYOMING DEPARTMENT OF TRANSPORTATION			
BRIDGE PROGRAM			
REVISIONS	RETAINING WALL DETAILS		
	ELK STREET INTERCHANGE		
	STA 852+18.20 Rock Springs Marginal Elk Street & Killpecker Creek Section 0802173 Sw		
APPROVED	DESIGN TTT ✓ YYY	Design Section B C Def	
DATE	DETAIL RRR ✓ TTT	Drwg. No. 0020 Sheet 27 of 27	
	0'S. RRR ✓ SSS		