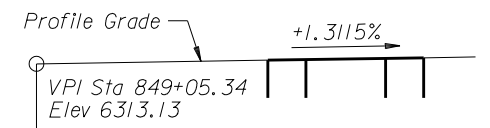
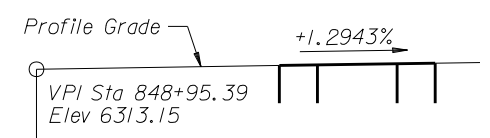


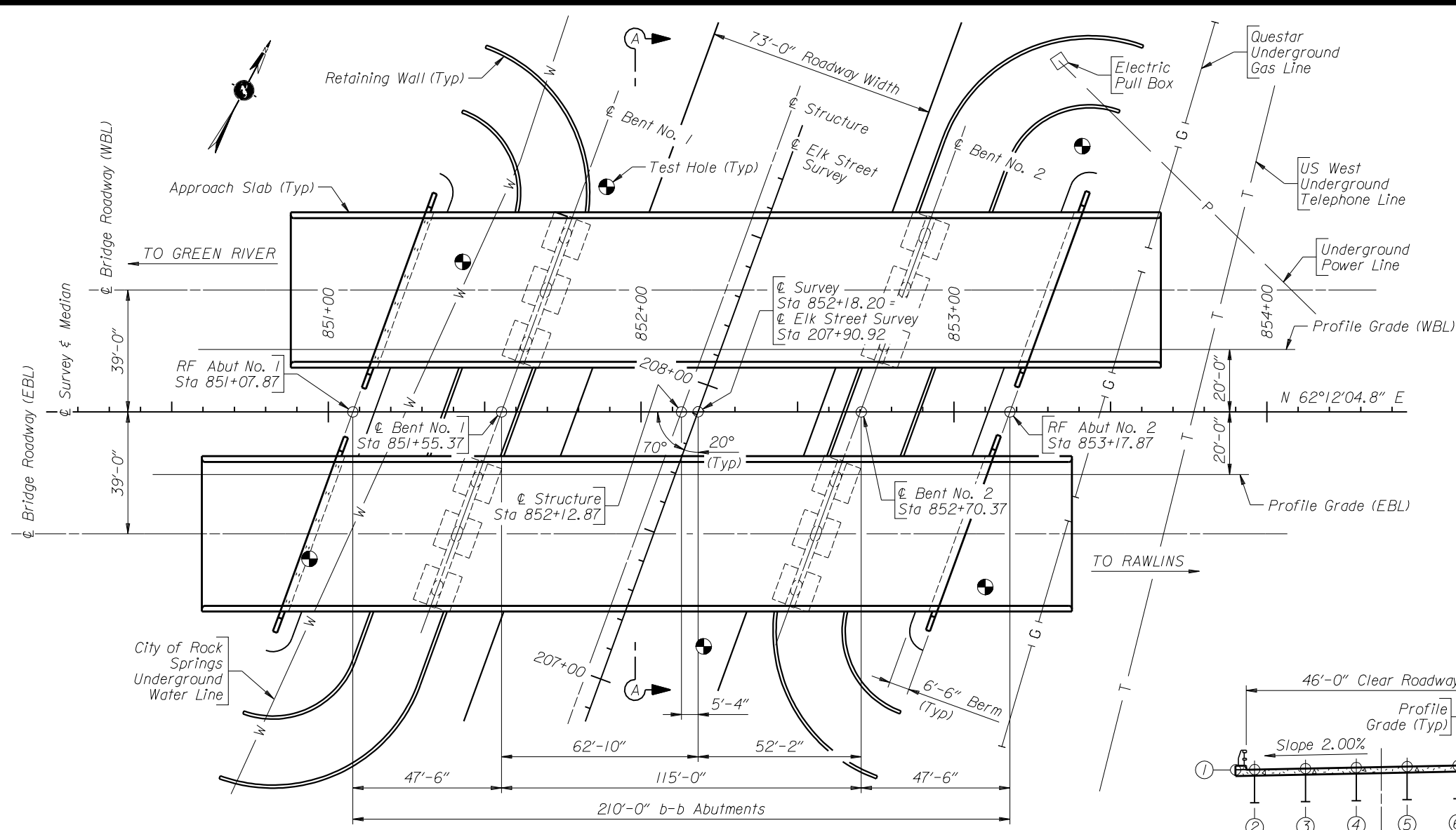
Wyo. Proj. 0802173
 Sheet B109 of B178 Sheets



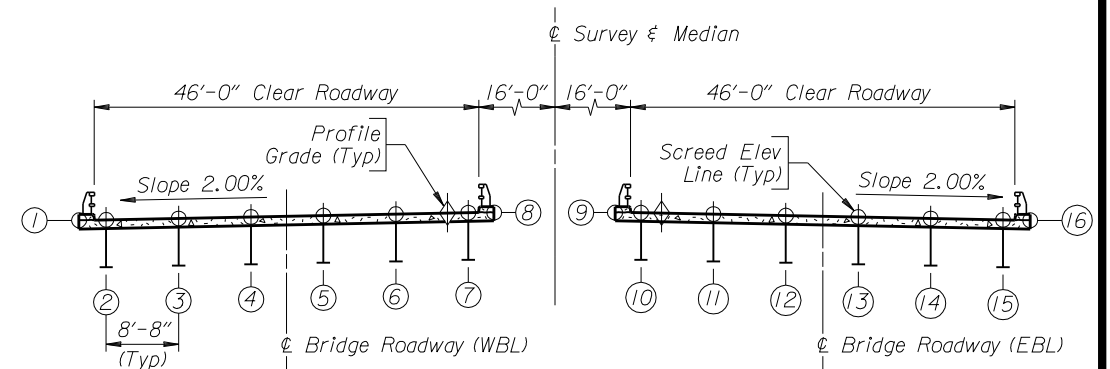
GRADE DATA (WBL)



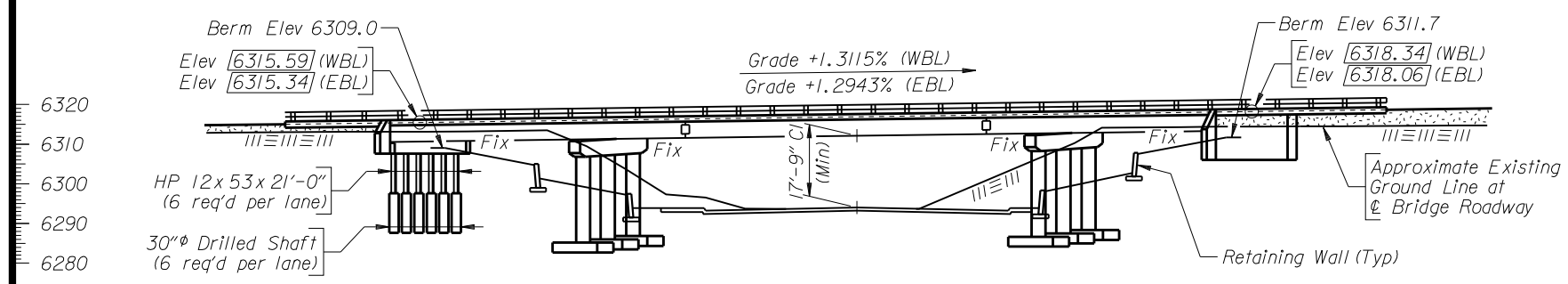
GRADE DATA (EBL)



PLAN



SECTION A-A

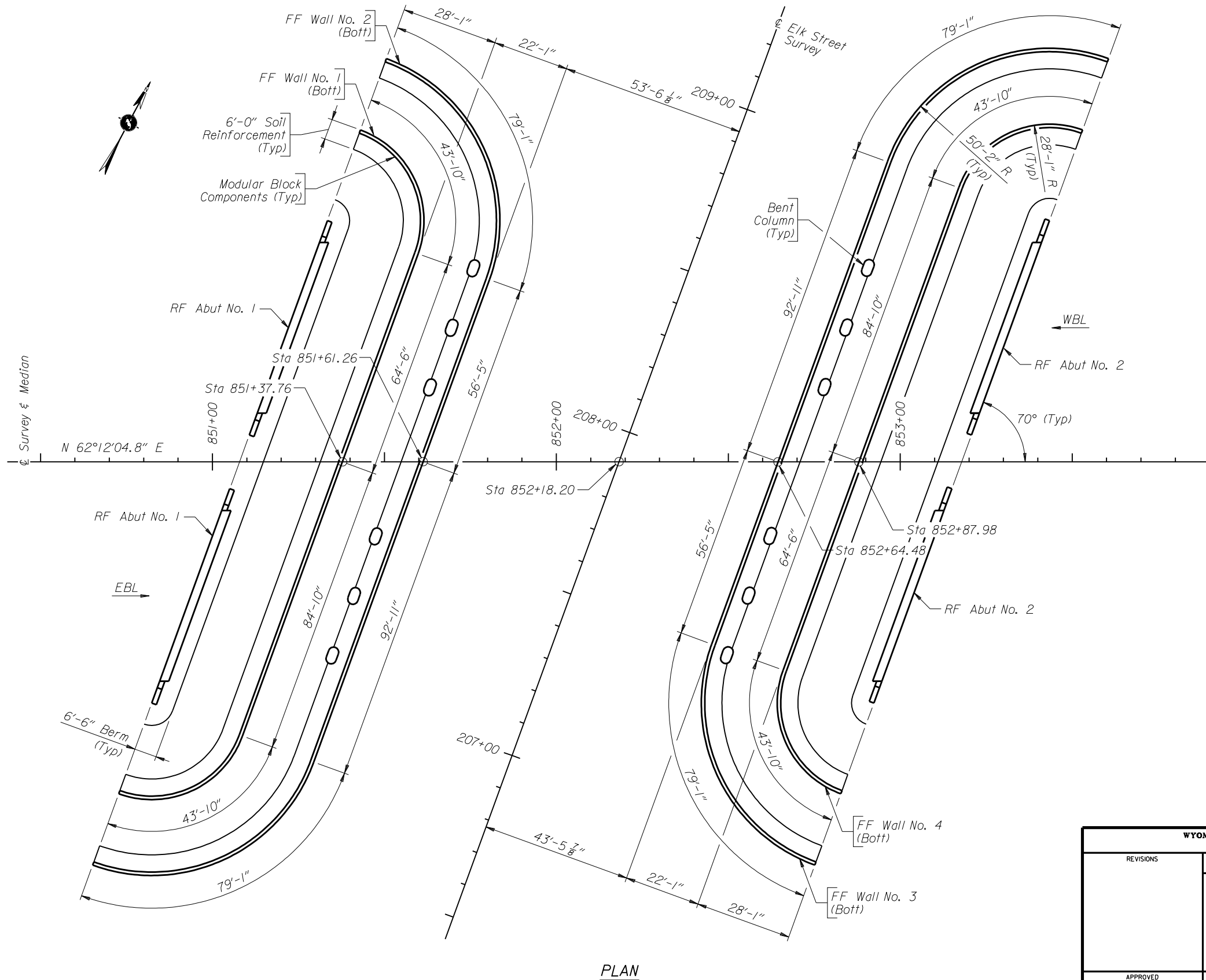


ELEVATION

(3 Continuous Composite Welded Plate Girder Spans)
 (EBL shown, WBL similar)

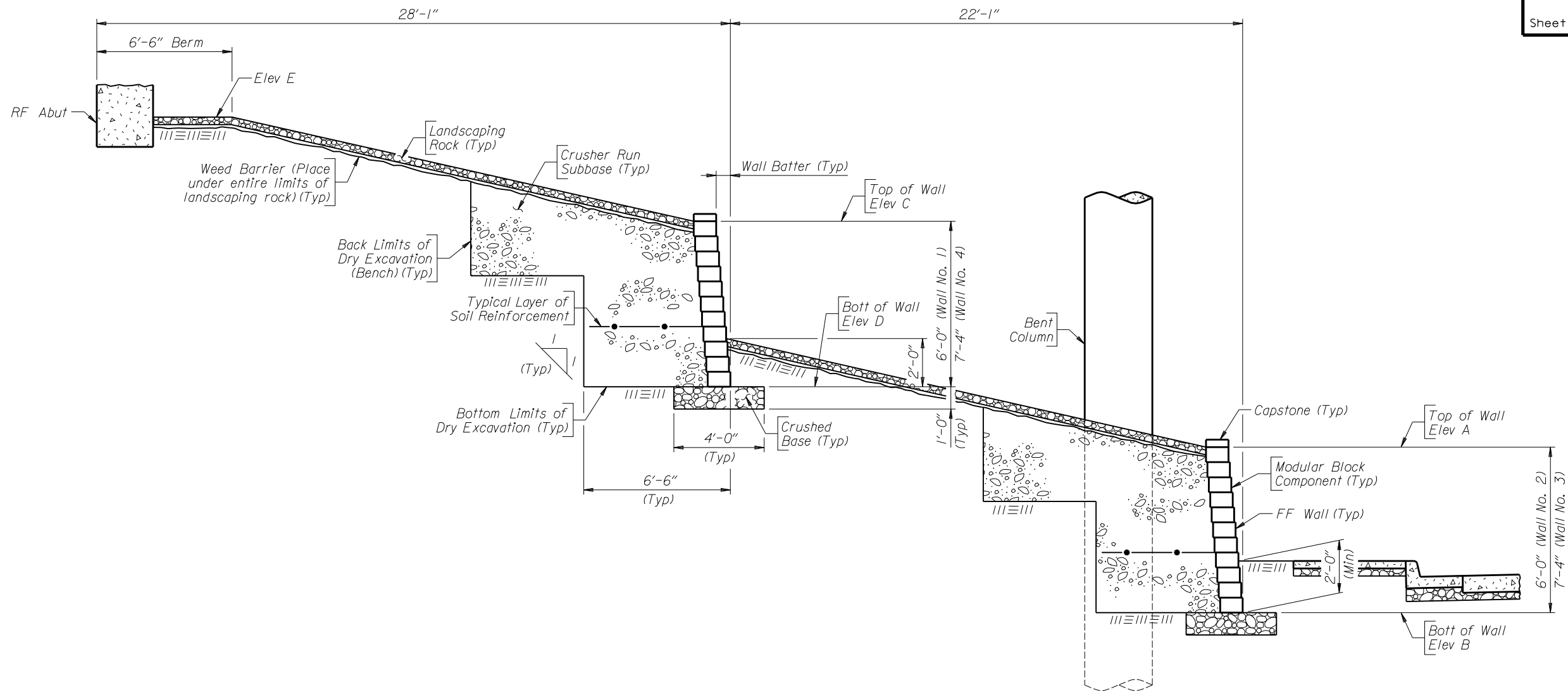
Note: Elevations shown as 6315.59 indicate finished grade at rear face abutment on ϕ Bridge Roadway.

WYOMING DEPARTMENT OF TRANSPORTATION BRIDGE PROGRAM	
GENERAL PLAN AND ELEVATION	
ELK STREET INTERCHANGE STA 852+18.20 Rock Springs Marginal Elk Street & Killpecker Creek Section 1080-02(173) Sw	
APPROVED	DESIGN <input checked="" type="checkbox"/> <input type="checkbox"/>
DATE	DETAIL <u>RRR</u> <input checked="" type="checkbox"/> <u>TTT</u> <input type="checkbox"/> o's. <input checked="" type="checkbox"/> <input type="checkbox"/>
Design Section B C Def Drwg. No. 0020 Sheet 3 of 27	

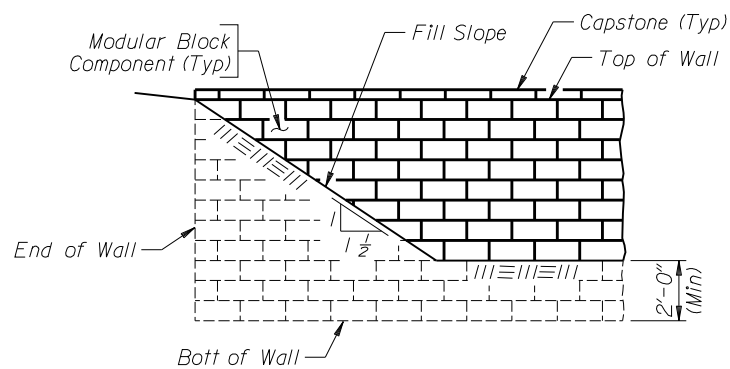


PLAN

WYOMING DEPARTMENT OF TRANSPORTATION BRIDGE PROGRAM			
REVISIONS		RETAINING WALL DETAILS	
		ELK STREET INTERCHANGE	
		STA 852+18.20	
		Rock Springs Marginal	
		Elk Street & Killpecker Creek Section	
		0802173 Sw	
APPROVED	DESIGN TTT ✓ YYY	Design Section B C Def	
DATE	DETAIL RRR ✓ TTT	Drwg. No. 0020 Sheet 26 of 27	
	Q.S. RRR ✓ SSS		



TYPICAL SECTION



FILL SLOPE TRANSITION DETAIL
 (Looking at front face wall)
 (Landscaping rock not shown)

Note: Top of wall elevations do not include correction for soil reinforcement thickness.

TABLE OF ELEVATIONS		
Elevation	Abut No. 1	Abut No. 2
A	6297.50	6298.83
B	6291.50	6291.50
C	6305.00	6307.83
D	6299.00	6300.50
E	6309.00	6311.70

WYOMING DEPARTMENT OF TRANSPORTATION BRIDGE PROGRAM			
REVISIONS		RETAINING WALL DETAILS	
		ELK STREET INTERCHANGE	
		STA 852+18.20	
		Rock Springs Marginal	
		Elk Street & Killpecker Creek Section	
		0802173 Sw	
APPROVED	DESIGN TTT ✓ YYY	Design Section B C Def	
DATE	DETAIL RRR ✓ TTT	Drwg. No. 0020 Sheet 27 of 27	
	Q'S. RRR ✓ SSS		