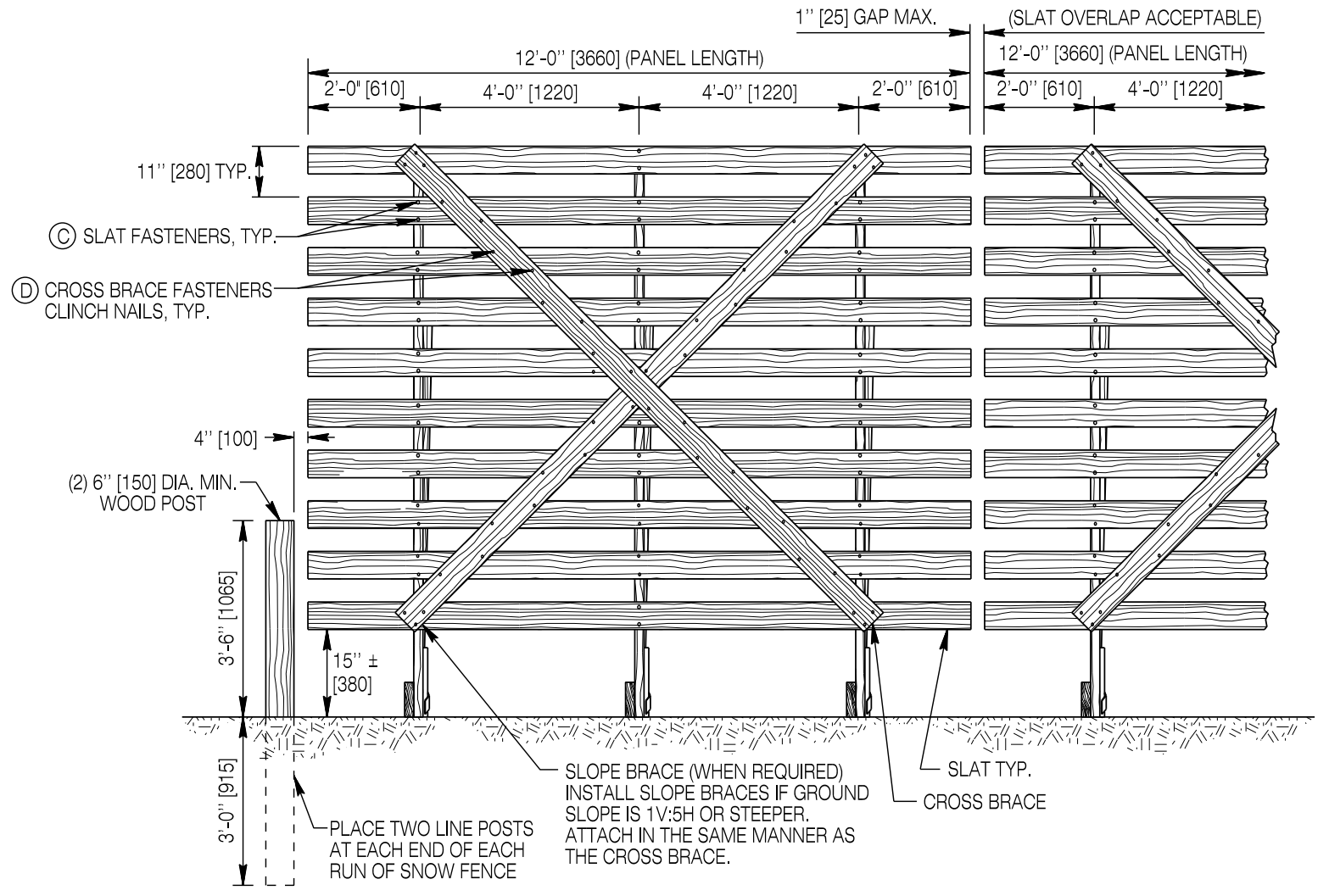


1 SILL

END VIEW



FRONT VIEW

HARDWARE FOR ONE 12 FT [3.6 m] PANEL		
NOTE	QUANTITY	DESCRIPTION
(A)	6	5/8" DIA. x 6" [16 DIA. x 150] FULLY THREADED BOLT WITH WASHER UNDER NYLON INSERT LOCKNUT
(B)	15	5/8" DIA. x 5" [16 DIA. x 130] FULLY THREADED BOLT WITH WASHER UNDER HEAD AND UNDER NYLON INSERT LOCKNUT
(C)	60	SLAT FASTENERS - 10D [75 LONG] RING SHANK OR SCREW SHANK NAILS (FULL HEAD)
(D)	* 22	CROSS & SLOPE BRACE FASTENERS - 8D [65 LONG] COMMON NAILS
(E)	6	#6 x 5'-0" [#19 x 1525] REBAR
(F)	6	5" x 1 1/2" x 1/8" [127 x 38 x 3] ANCHOR CLIP FOR 5/8" [16] Ø BOLT

PROVIDE BOLTS, NYLON INSERT LOCKNUTS AND WASHERS WHICH ARE GALVANIZED AND A307 OR SAE GRADE 2 OR BETTER.
 * 44 IF SLOPE BRACE IS USED.

LUMBER FOR ONE 12 FT [3.6 m] PANEL			
ITEM NO.	NO. OF PIECES	LUMBER SIZE	DESCRIPTION
1	3	2" x 6" x 7'-0" [50 x 150 x 2135]	SILL
2	3	2" x 6" x 9'-0" [50 x 150 x 2740]	BRACE
3	3	2" x 6" x 10'-0" [50 x 150 x 3050]	FRONT VERTICAL
NOTE: PRESSURE TREAT ALL ABOVE FRAME MEMBERS.			
4	1	1" x 6" x 12'-0" [25 x 150 x 3660]	CROSS BRACE
5	10	1" x 6" x 12'-0" [25 x 150 x 3660]	SLAT
6	1	1" x 6" x 12'-0" [25 x 150 x 3660]	SLOPE BRACE

NOTE: WHEN GROUND SLOPE IS 1V:5H OR STEEPER, USE SLOPE BRACE 6.

Designed by: WBW
 Drawn by: JK
 Checked by: WBW
 Previous Dwg. No. 616-01

PANEL CONSTRUCTION DETAILS

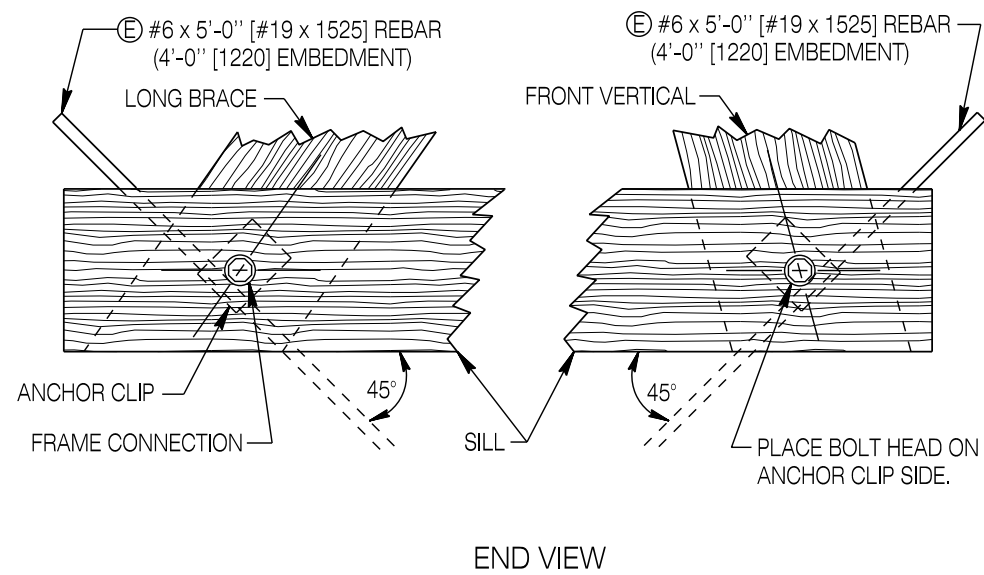
Note: Units shown in brackets [] are metric and are in millimeters (mm) unless other units are shown.



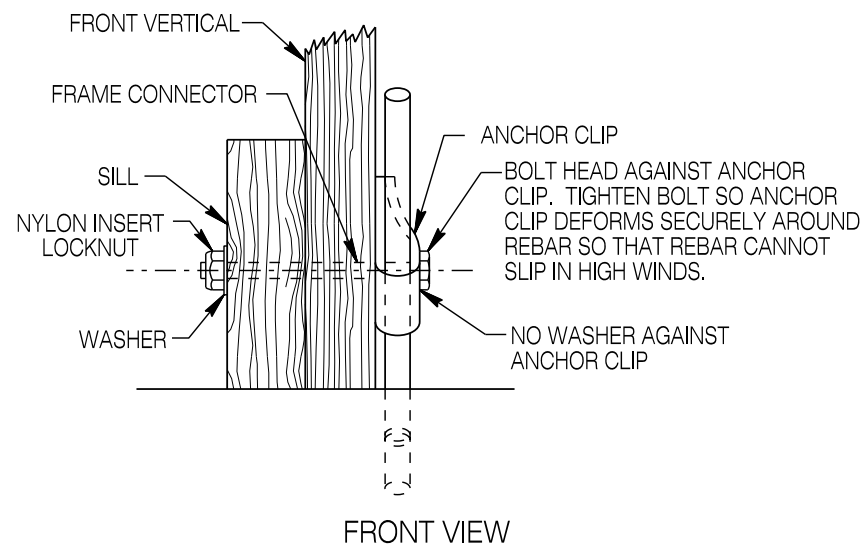
10 FT [3 m] WOOD SNOW FENCE

STANDARD PLAN

STANDARD PLAN NUMBER
616-1A
 SHEET 1 of 2
 Issued by: ENGINEERING SERVICES
 Date Issued: JULY 2015

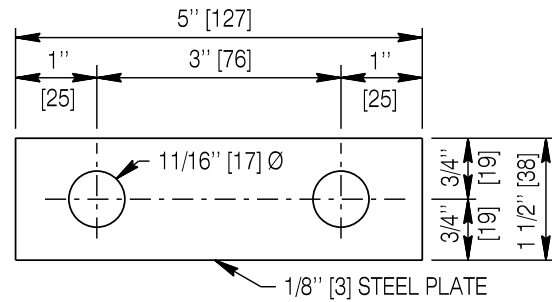


END VIEW



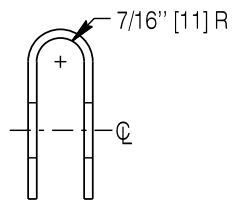
FRONT VIEW

F ANCHOR CLIP CONNECTION DETAIL



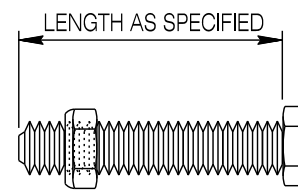
F ANCHOR CLIP FOR 5/8" [16] DIA. BOLT

(FLAT PLATE PRIOR TO BENDING)
PROVIDE HOLES NO GREATER THAN 1/16 in. [1.5] LARGER THAN THE BOLT



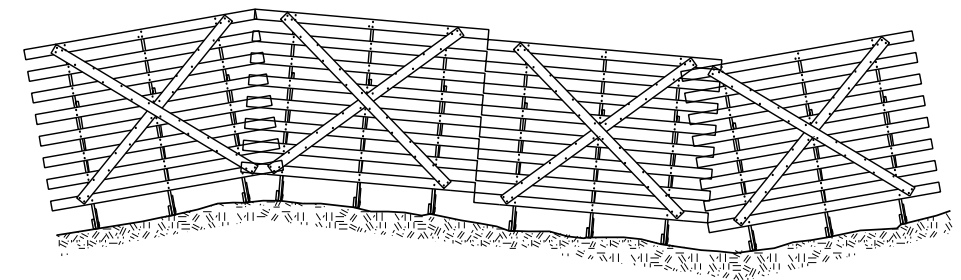
F END VIEW OF ANCHOR CLIP

(AFTER BENDING)

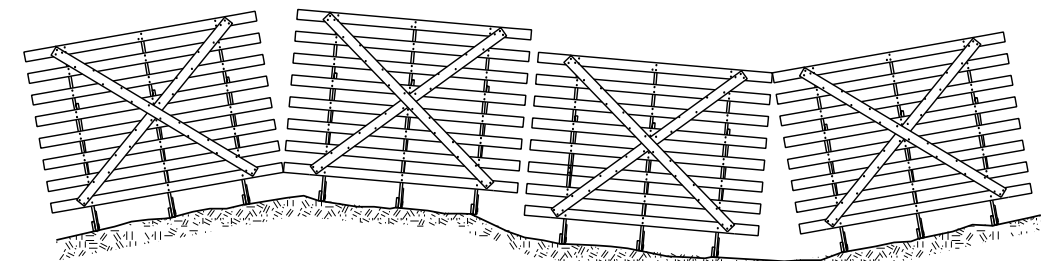


A & B FULLY THREADED BOLTS

NOTE:
WHERE 5" [125] LONG FULLY THREADED BOLTS ARE SPECIFIED, IT IS ACCEPTABLE TO FURNISH 6" [150] LONG FULLY THREADED BOLTS IF DESIRED.



THE RIGHT WAY



THE WRONG WAY

PANEL LAPPING DETAIL

NOTE: OVERLAP PANELS TO ELIMINATE SPACES BETWEEN PANELS. SPACES GREATLY REDUCE TRAPPING EFFICIENCY AND SNOW STORAGE CAPACITY.

Designed by: WBW
Drawn by: JK
Checked by: WBW
Previous Dwg. No. 616-01

FRAME CONNECTION AND PANEL OVERLAP DETAILS

Note: Units shown in brackets [] are metric and are in millimeters (mm) unless other units are shown.



WYOMING DEPARTMENT OF TRANSPORTATION



10 FT [3 m] WOOD SNOW FENCE

STANDARD PLAN

STANDARD PLAN NUMBER
616-1A
SHEET 2 of 2
Issued by: ENGINEERING SERVICES
Date Issued: JULY 2015