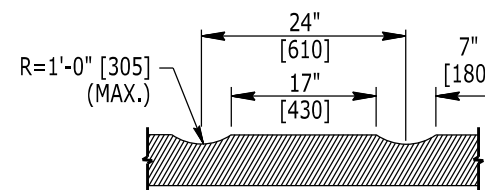
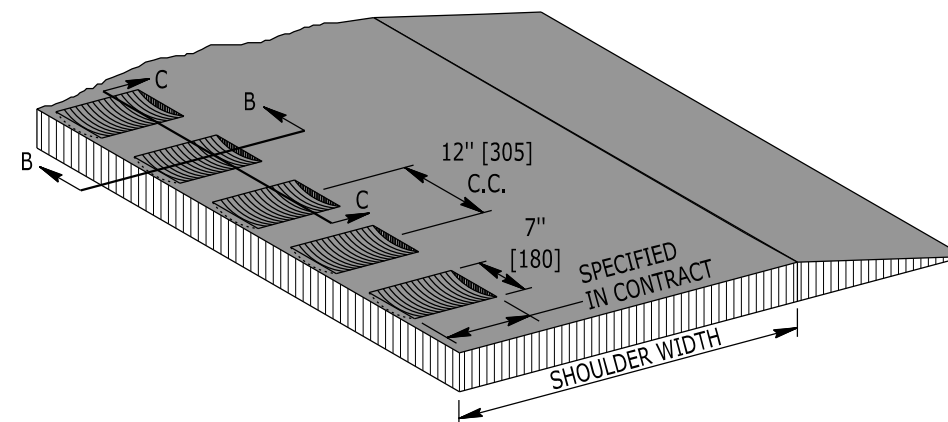
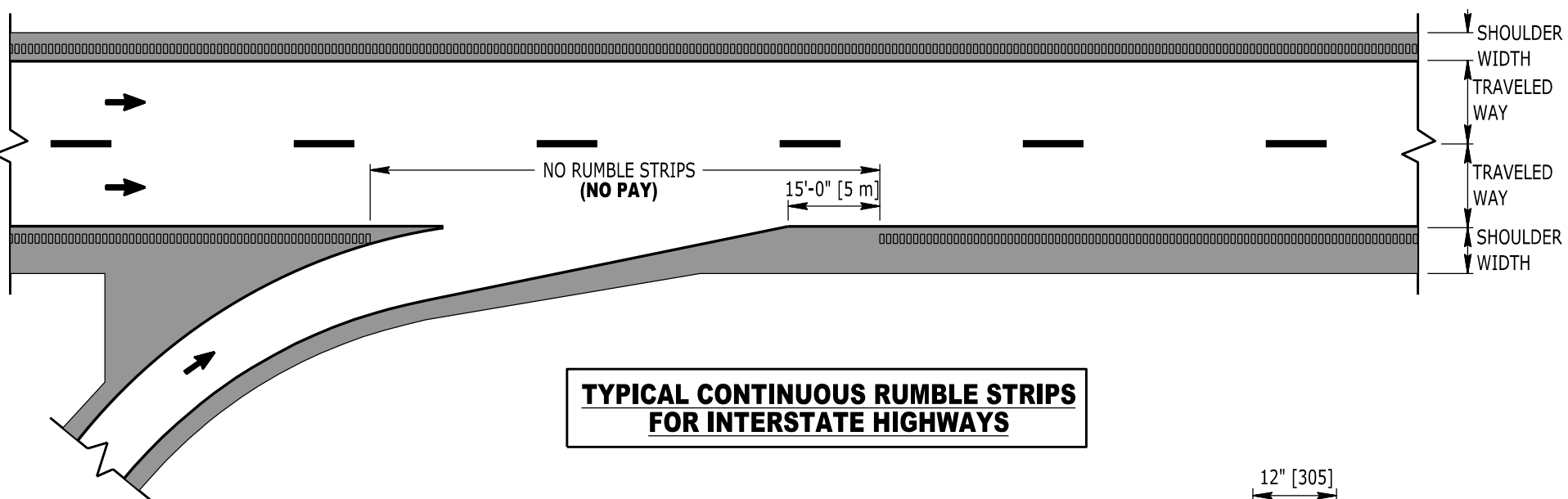


ISOMETRIC CENTERLINE RUMBLE STRIP DETAIL

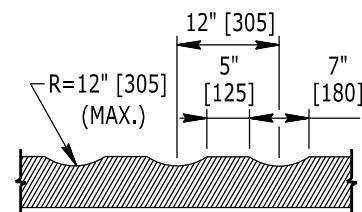


CENTERLINE RUMBLE STRIP CORRUGATIONS

SECTION A-A

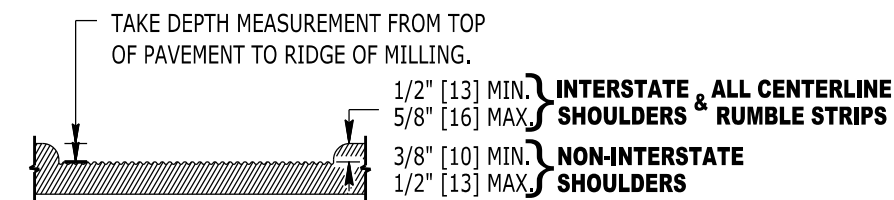


ISOMETRIC RUMBLE STRIP DETAIL



SHOULDER RUMBLE STRIP CORRUGATIONS

SECTION C-C



RUMBLE STRIP CORRUGATION DEPTH

SECTION B-B

GENERAL NOTES

Mill rumble strips through unpaved approaches unless otherwise determined by the engineer. Omit rumble strips across paved approaches, intersecting roadways, bridges, bridge approach slabs and other locations determined by the engineer.

Designed by: WBW
Drawn by: TWS
Checked by: WBW
Previous Dwg. No. 418-1B

GENERAL RUMBLE STRIP REQUIREMENTS

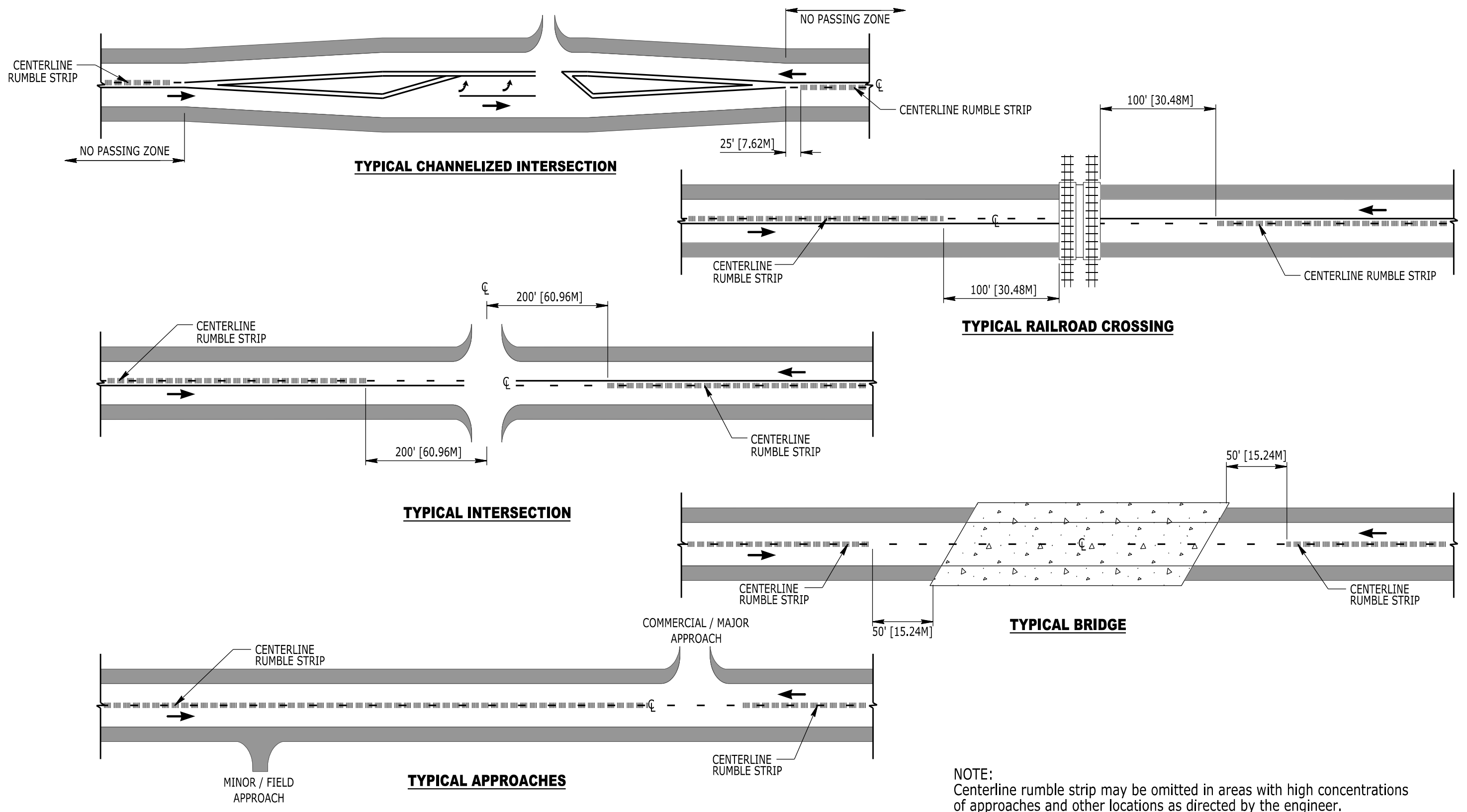
Note: Units shown in brackets [] are metric and are in millimeters (mm) unless other units are shown.



MILLED RUMBLE STRIPS

STANDARD PLAN

STANDARD PLAN NUMBER
418-1C
SHEET 1 of 3
Issued by: ENGINEERING SERVICES
Date Issued: MARCH 2022



Designed by: WBW
 Drawn by: TWS
 Checked by: WBW
 Previous Dwg. No. 418-1B

PLACEMENT OF CENTERLINE RUMBLE STRIPS

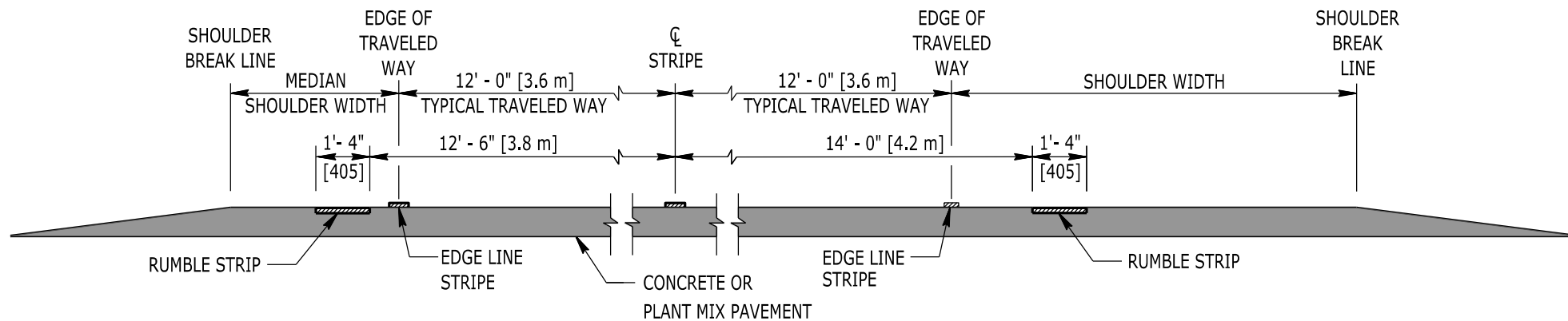
Note: Units shown in brackets [] are metric and are in millimeters (mm) unless other units are shown.



MILLED RUMBLE STRIPS



STANDARD PLAN NUMBER
418-1C
 SHEET 2 of 3
 Issued by: ENGINEERING SERVICES
 Date Issued: MARCH 2022



MEDIAN SHOULDERS GREATER THAN 1 ft. [0.3 m] AND LESS THAN OR EQUAL TO 4 ft. [1.2 m]

See notes 2 & 3 for median shoulders. For Non-Interstate median shoulder widths less than 4 ft. [1.2 m], see treatment for undivided highway shoulder widths less than 6 ft. [1.8m].

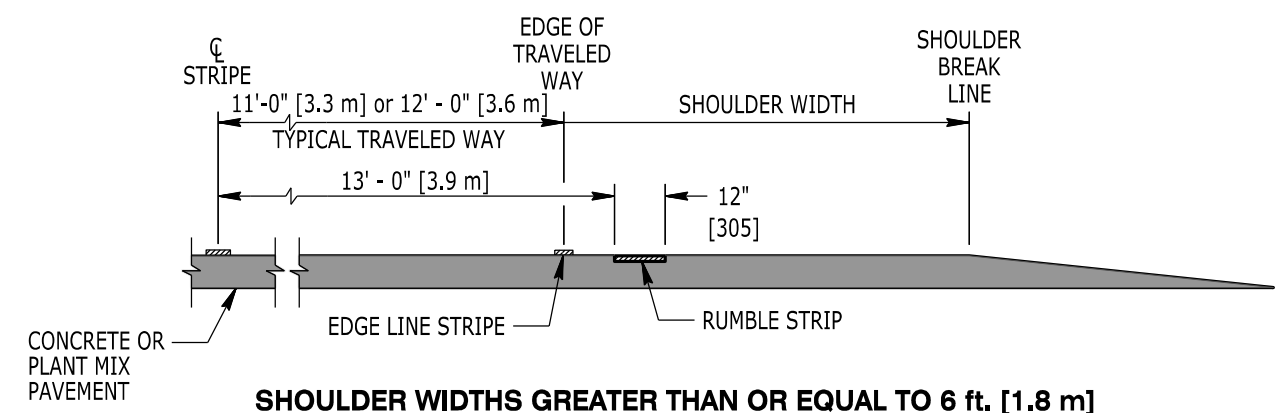
OUTSIDE SHOULDER WIDTHS GREATER THAN OR EQUAL TO 8 ft. [2.4 m] AND LESS THAN OR EQUAL TO 10 ft. [3.0 m]

For outside shoulder widths less than 8 ft. [2.4 m], see appropriate undivided highway shoulder widths.

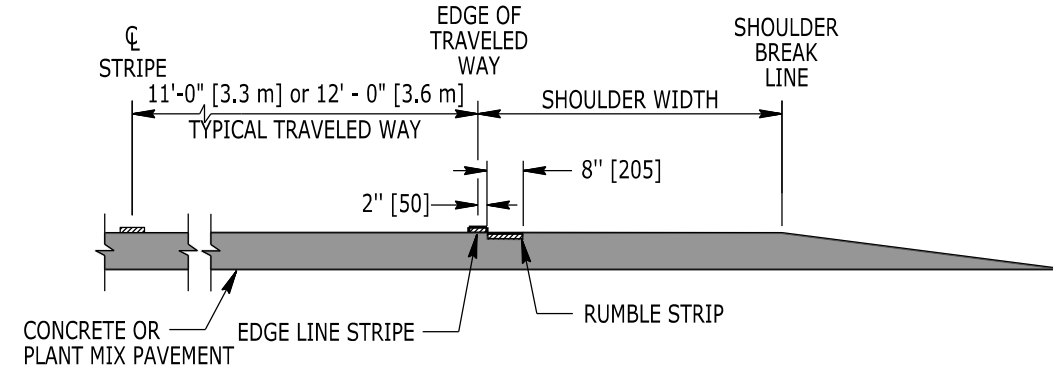
TYPICAL DIVIDED HIGHWAY SHOULDERS

GENERAL NOTES

- Shoulder widths shown in the contract are approximate. Confirm shoulder widths in the field by measuring from the shoulder break line to the edge line stripe.
- Use equipment for milling median shoulders with the capability of milling on shoulders as narrow as 1 ft. [0.3 m].
- Median shoulders 2 ft. [0.6 m] and narrower may require moving the rumble strip to the outside edge of the 12 ft. [3.6 m] travel lane and placing the new pavement edge line stripe on top of the rumble strip.
- Consider bicycle use, shoulder pavement condition, crash experience, and other factors before installing rumble strips on shoulders less than 4 ft. [1.2 m].
- No shoulder rumble strips will be installed on outside shoulders less than 2 ft. [0.6 m].
- New striping will be placed by the department unless otherwise specified.

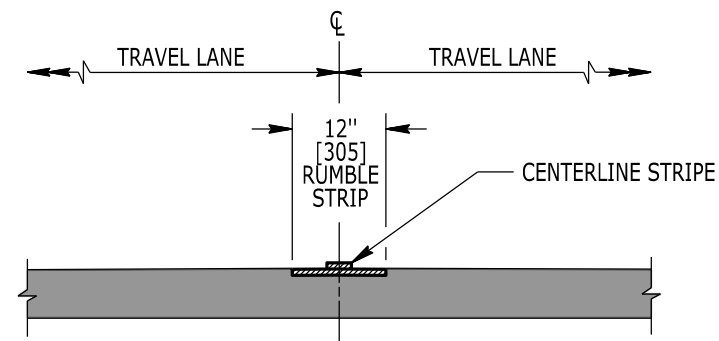


SHOULDER WIDTHS GREATER THAN OR EQUAL TO 6 ft. [1.8 m]



SHOULDER WIDTHS LESS THAN 6 ft. [1.8 m]

TYPICAL TWO-WAY UNDIVIDED HIGHWAY SHOULDERS



CENTERLINE RUMBLE STRIPS

(USE ONLY WHERE SPECIFIED.)

Designed by: WBW
 Drawn by: TWS
 Checked by: WBW
 Previous Dwg. No. 418-1B

LATERAL PLACEMENT OF RUMBLE STRIPS

Note: Units shown in brackets [] are metric and are in millimeters (mm) unless other units are shown.



MILLED RUMBLE STRIPS

STANDARD PLAN

STANDARD PLAN NUMBER
418-1C
 SHEET 3 of 3
 Issued by: ENGINEERING SERVICES
 Date Issued: MARCH 2022