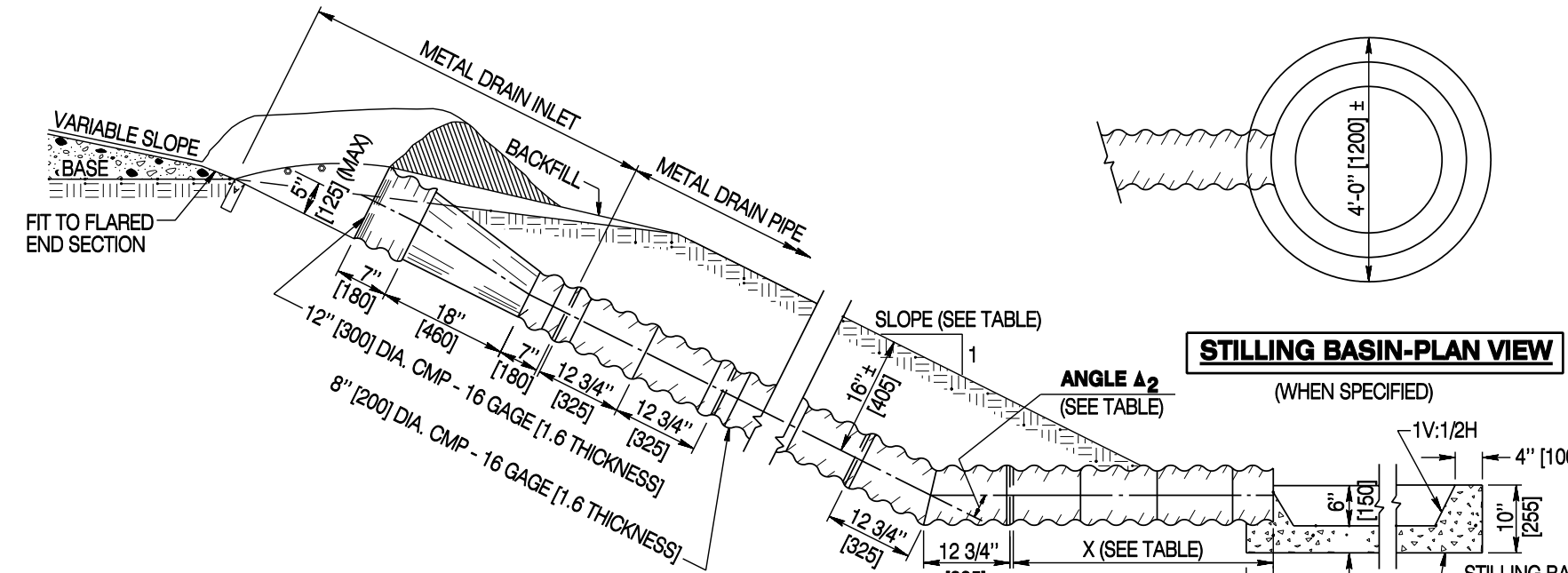


GENERAL NOTES

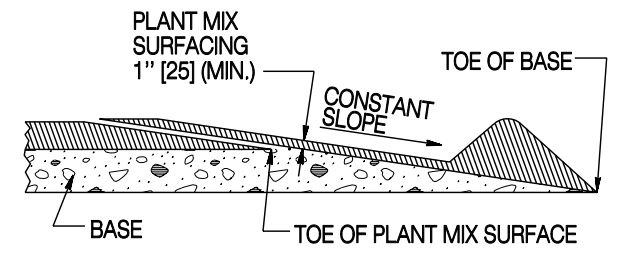
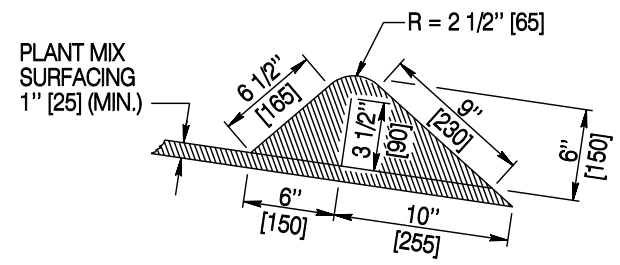
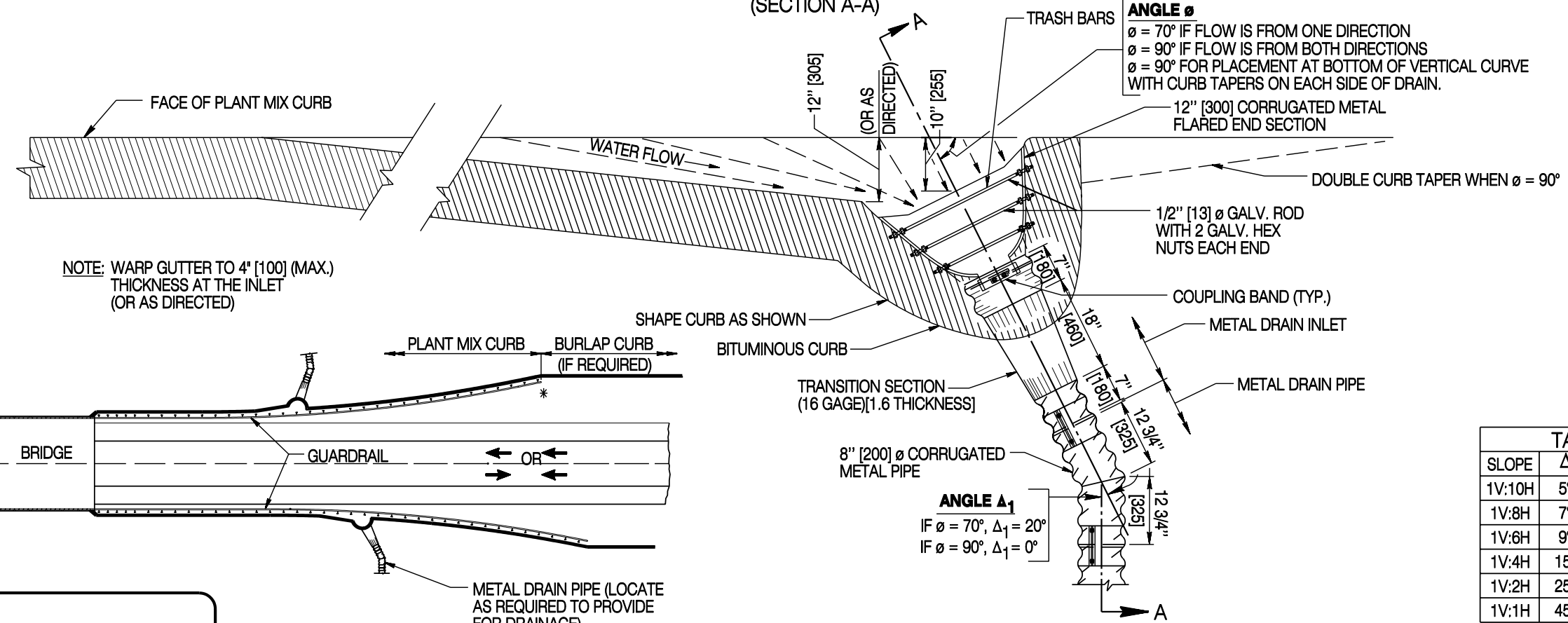
A metal drain inlet consists of:

1. A 12 in [300] corrugated metal pipe flared end section, modified by the addition of trash bars.
2. A transition section from 12 in [300] ϕ to 8 in [200] ϕ pipe.
3. Special transitional treatment of adjacent curbing as shown in the diagram.

Seal plant mix curb when specified in the contract.
Place plant mix curb only if protected by guardrail.
Install curb a minimum of 2 ft [600] behind guardrail.



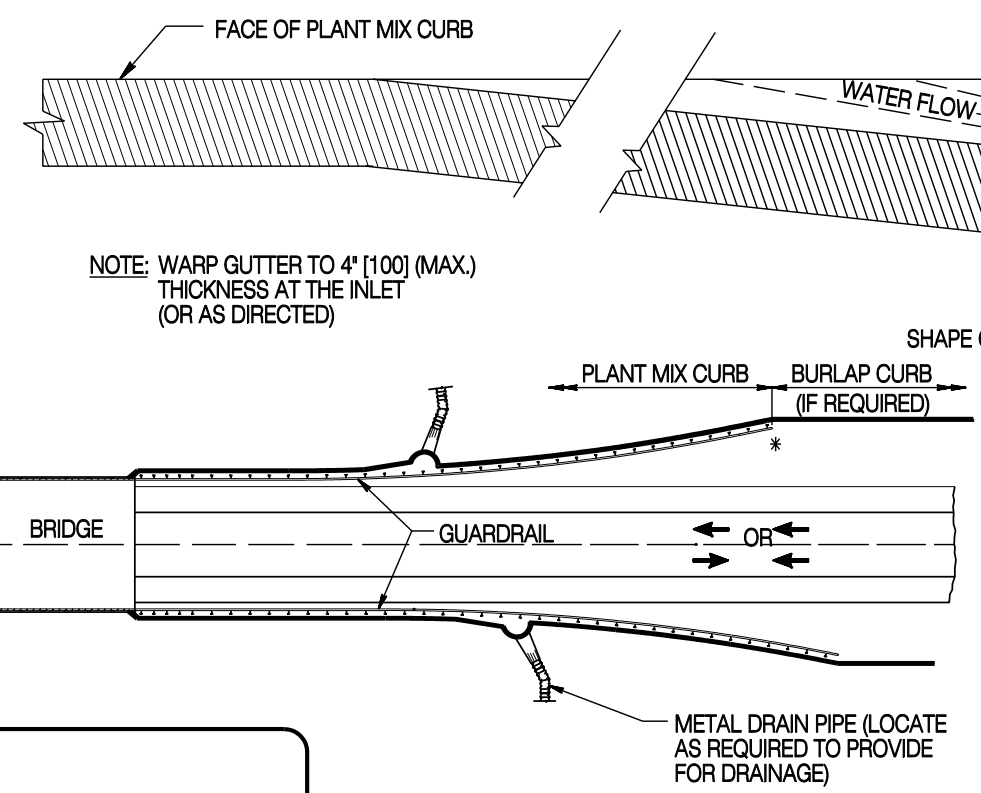
OUTLET DETAILS (SECTION A-A)



CURB DETAIL

TABLE

| SLOPE | Δ_2 | X |
|--------|------------|-------------|
| 1V:10H | 5°± | 18' [5.5 m] |
| 1V:8H | 7°± | 8' [2.4 m] |
| 1V:6H | 9°± | 8' [2.4 m] |
| 1V:4H | 15°± | 6' [1.8 m] |
| 1V:2H | 25°± | 4' [1.2 m] |
| 1V:1H | 45°± | 2' [0.6 m] |



BRIDGE END INSTALLATION

NOTE:
* WIDEN BASE AND SURFACING MATERIAL TO ACCOMMODATE FLARING OF BITUMINOUS CURB AS IT FOLLOWS GUARDRAIL ALIGNMENT.

Designed by: BOS
Drawn by: KAP
Checked by: RRC
Previous Desg. No. 610-01A

Note: Units shown in brackets [] are metric and are in millimeters (mm) unless other units are shown.



METAL DRAIN INLET AND PLANT MIX CURB

STANDARD PLAN

STANDARD PLAN NUMBER
610-1
SHEET 1 of 1
Issued by: ENGINEERING SERVICES
Date Issued: NOVEMBER, 2004
FILE: j:\StanDual_Std_Wrk\6100_01.dgn