

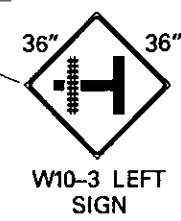
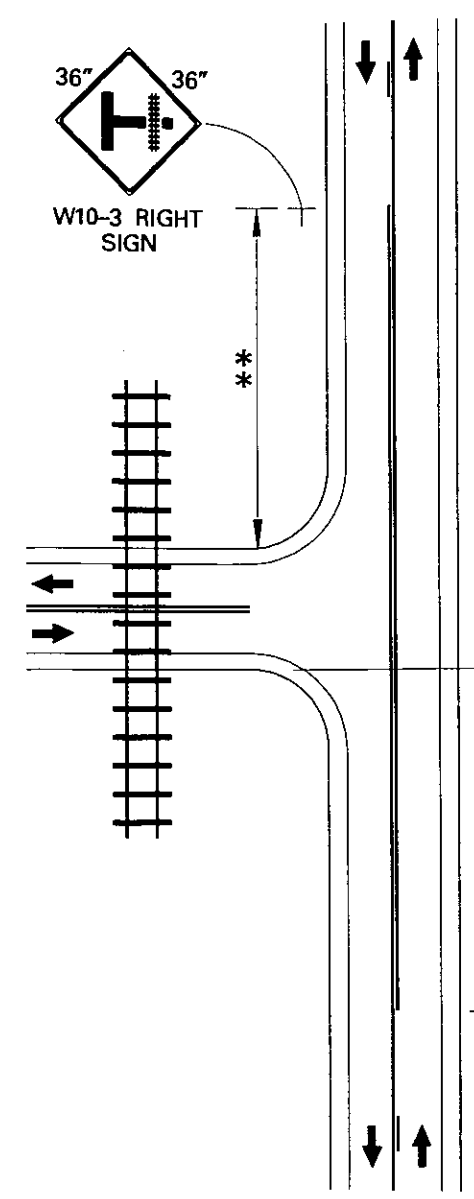
\*\*  
RAILROAD ADVANCE SIGN  
PLACEMENT DISTANCE

SPEED LIMIT	DISTANCE
20 M.P.H.	175 FT
25 M.P.H.	250 FT
30 M.P.H.	325 FT
35 M.P.H.	400 FT
40 M.P.H.	475 FT
45 M.P.H.	550 FT
50 M.P.H.	625 FT
55 M.P.H.	700 FT
60 M.P.H.	775 FT
65 M.P.H.	850 FT

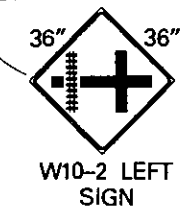
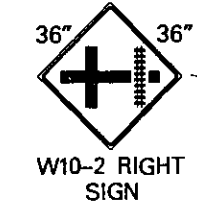
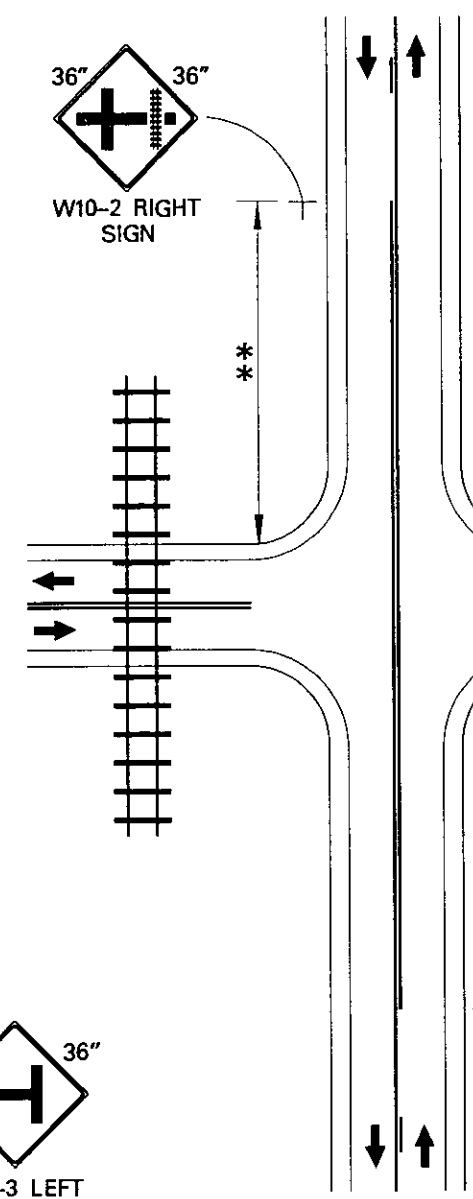
NOTE:  
CENTER ADVANCE RAILROAD WARNING SIGN WITH PAVEMENT MARKINGS AS SHOWN, IF PAVEMENT MARKINGS ARE NOT PRESENT USE CHART FOR DISTANCE.



**TYPICAL RAILROAD CROSSING  
ADVANCE WARNING SIGN  
PLACEMENT DETAIL**



T INTERSECTION



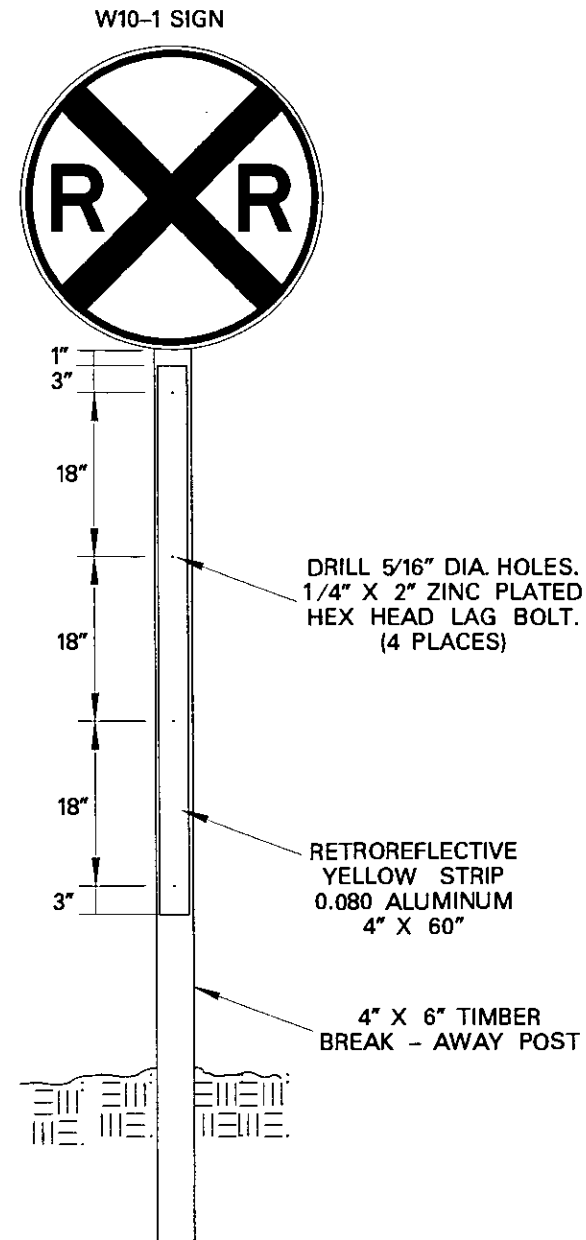
CROSSROAD INTERSECTION

\*\*  
WARNING SIGN  
PLACEMENT DISTANCE

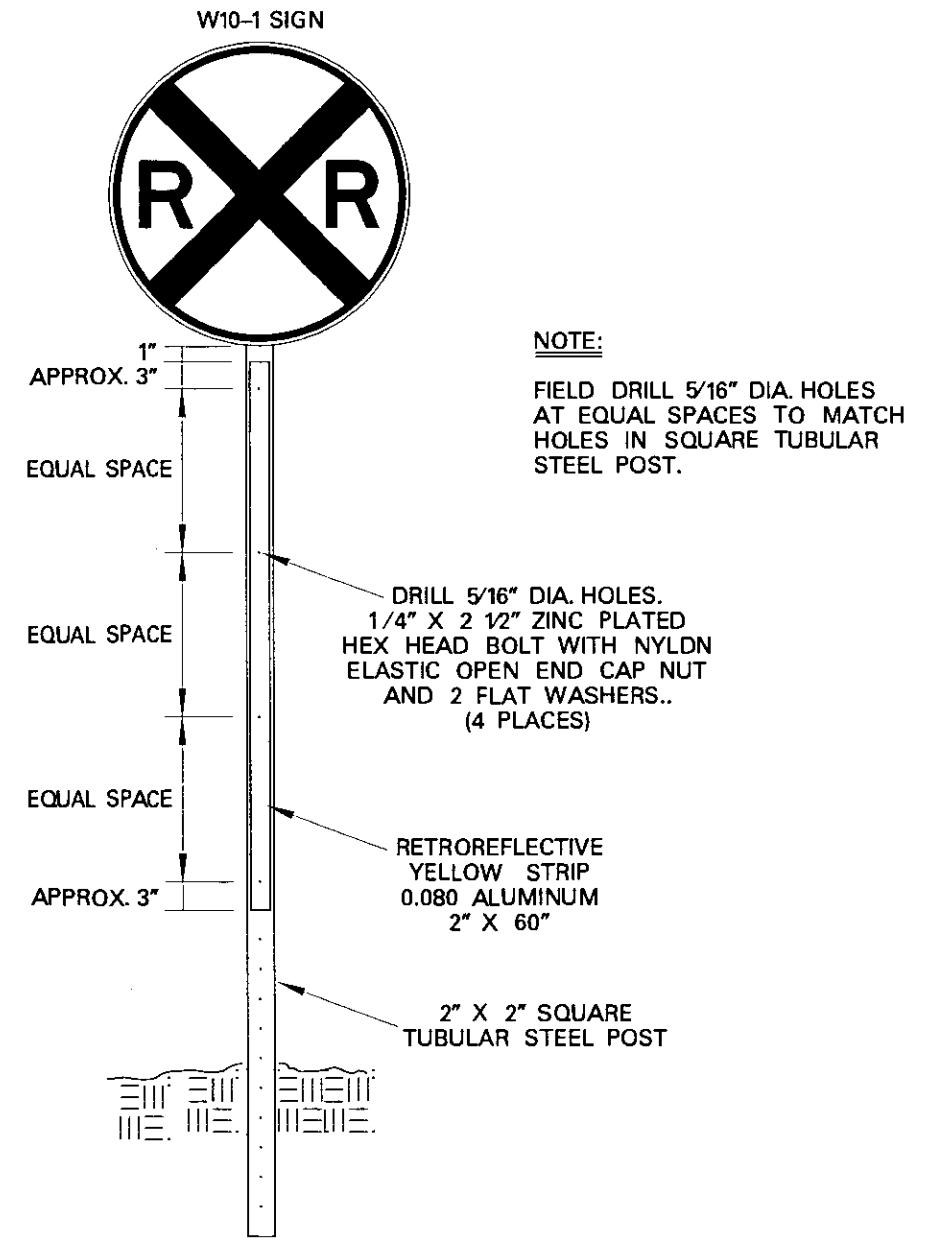
SPEED LIMIT	DISTANCE
20 M.P.H.	225 FT
25 M.P.H.	325 FT
30 M.P.H.	450 FT
35 M.P.H.	550 FT
40 M.P.H.	650 FT
45 M.P.H.	750 FT
50 M.P.H.	850 FT
55 M.P.H.	950 FT
60 M.P.H.	1100 FT
65 M.P.H.	1200 FT

**TYPICAL WARNING SIGN  
PLACEMENT DETAIL**

**SIGN STRUCTURES  
STATEWIDE RAILROAD CROSSING  
ADVANCE WARNING SIGNS  
SHEET 1 OF 8**

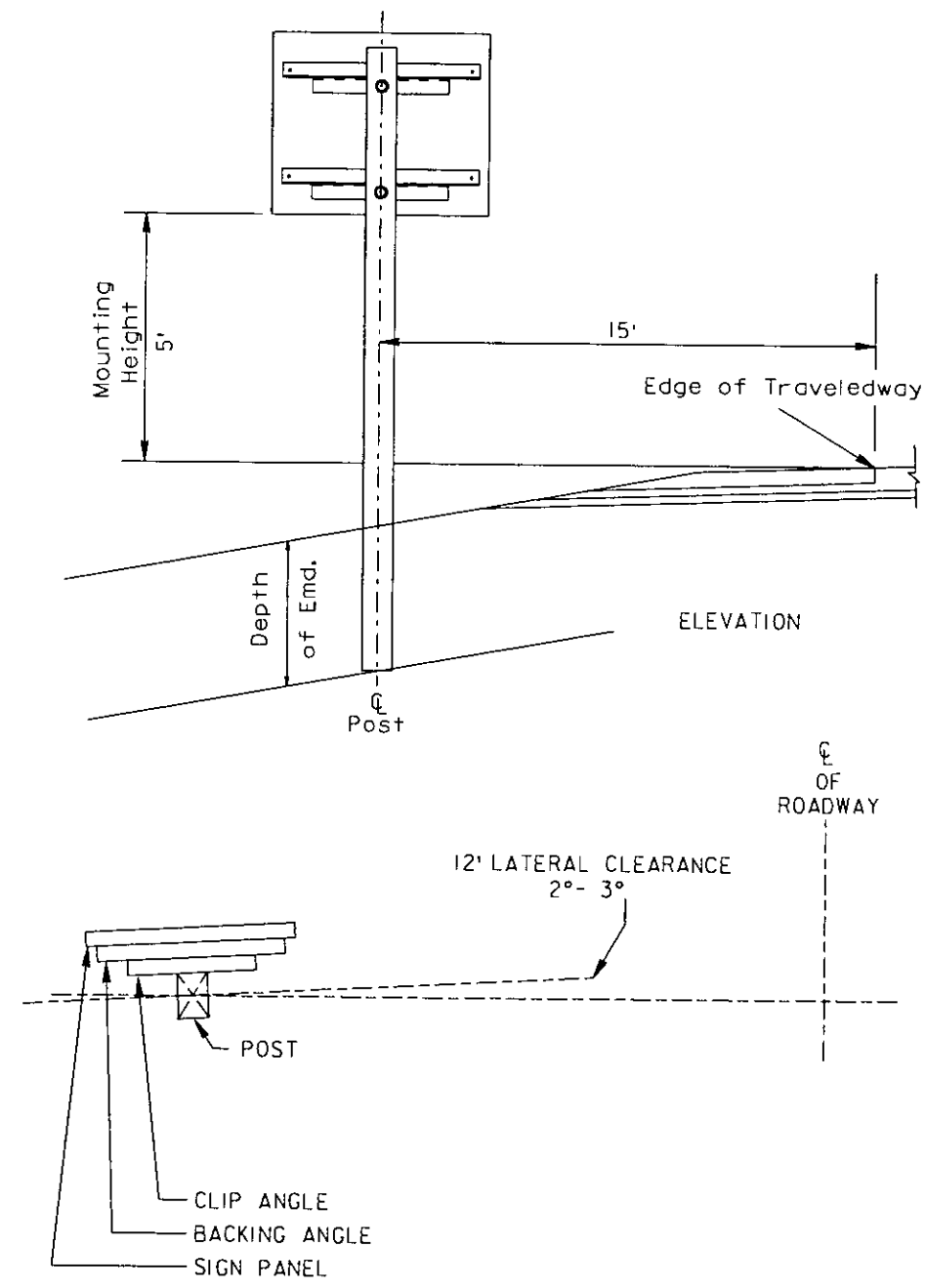


**TYPICAL INSTALLATION OF  
RETROREFLECTIVE STRIP ON  
TIMBER POST**

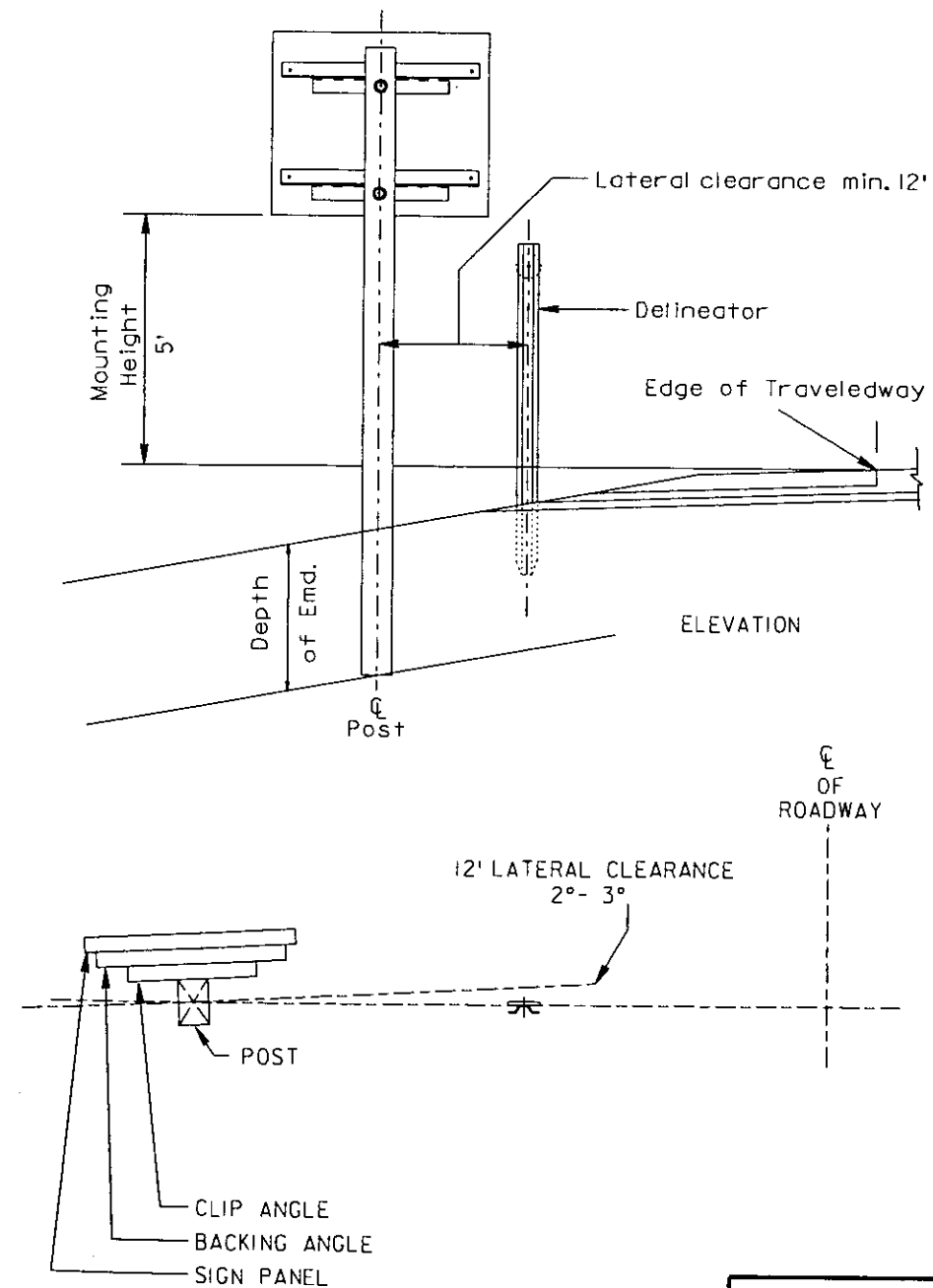


**TYPICAL INSTALLATION OF  
RETROREFLECTIVE STRIP ON  
SQUARE TUBULAR STEEL POST**

### TYPICAL ONE POST INSTALLATION

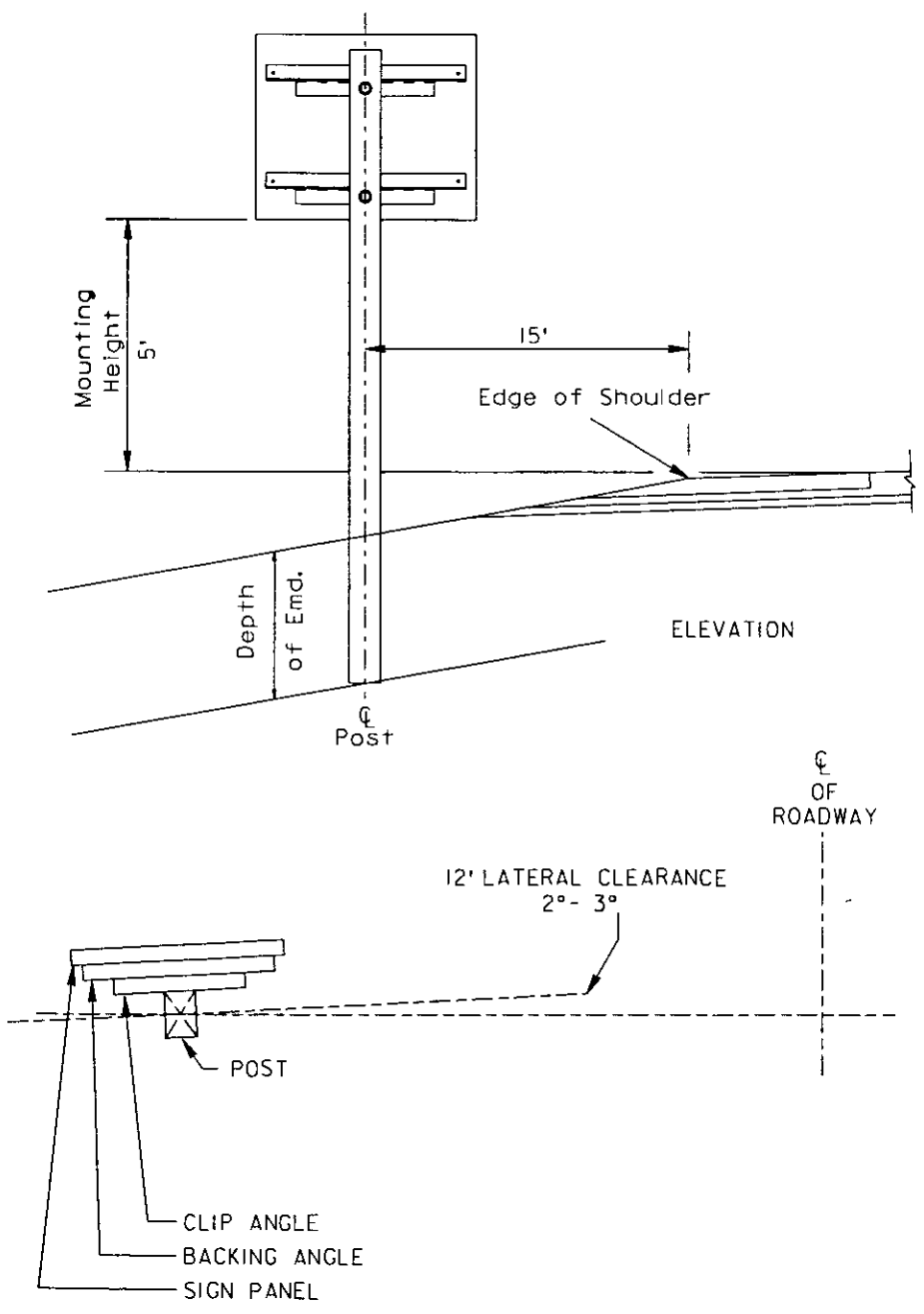


### TYPICAL ONE POST INSTALLATION

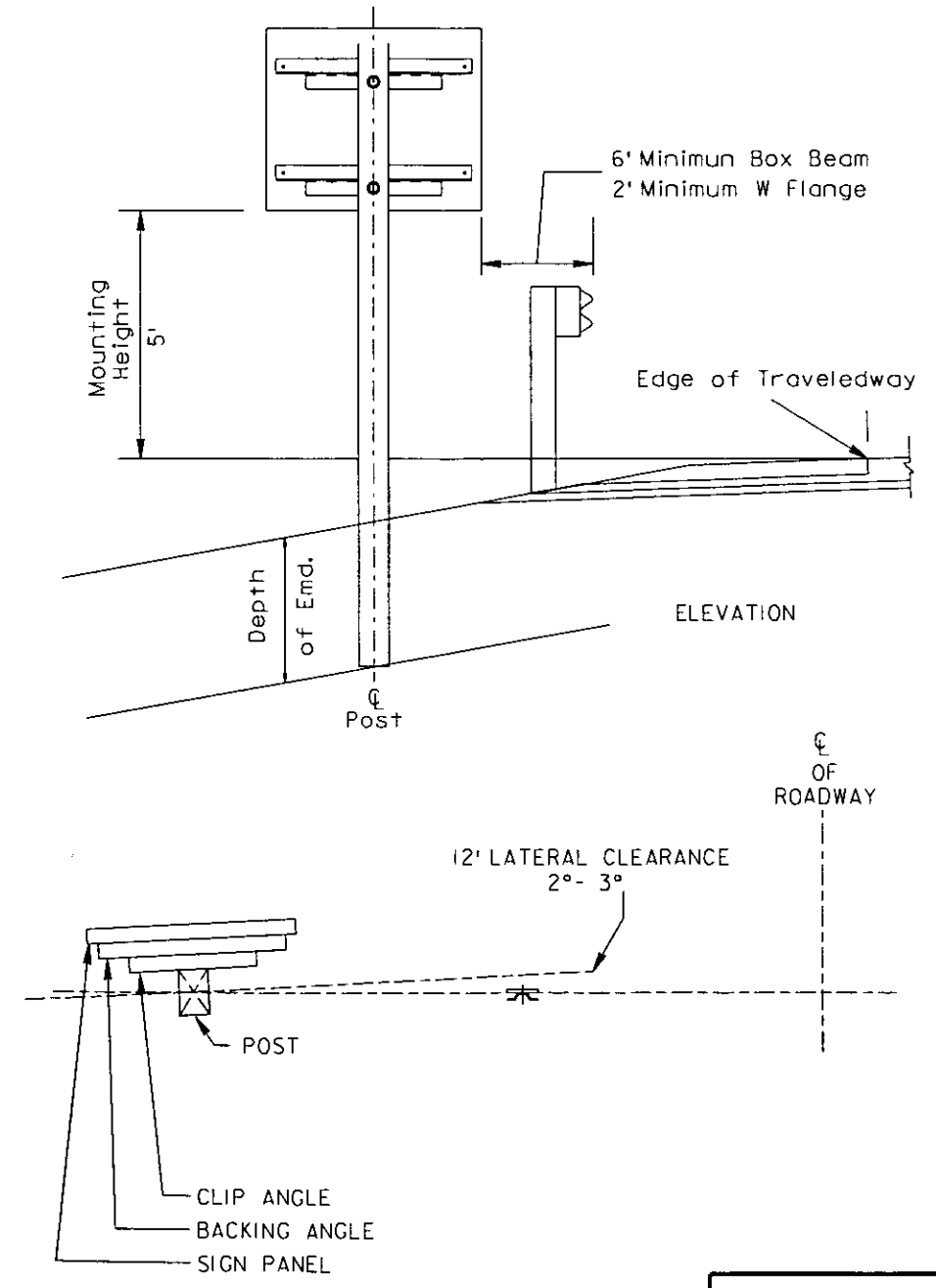


STATE OF WYOMING	PROJ. NO.	SHEET NO.	TOTAL SHEETS
	B099077	5	9

### TYPICAL ONE POST INSTALLATION

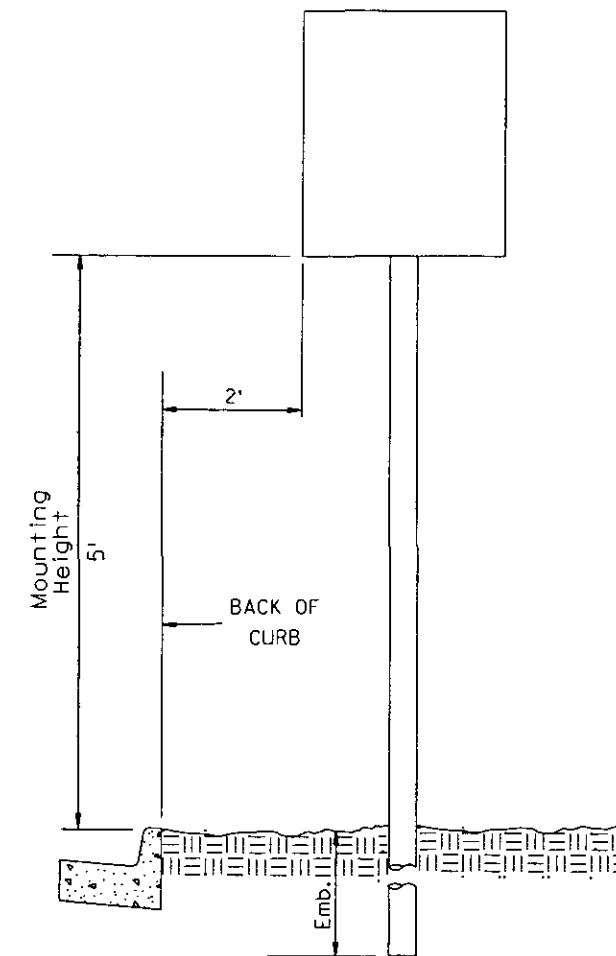
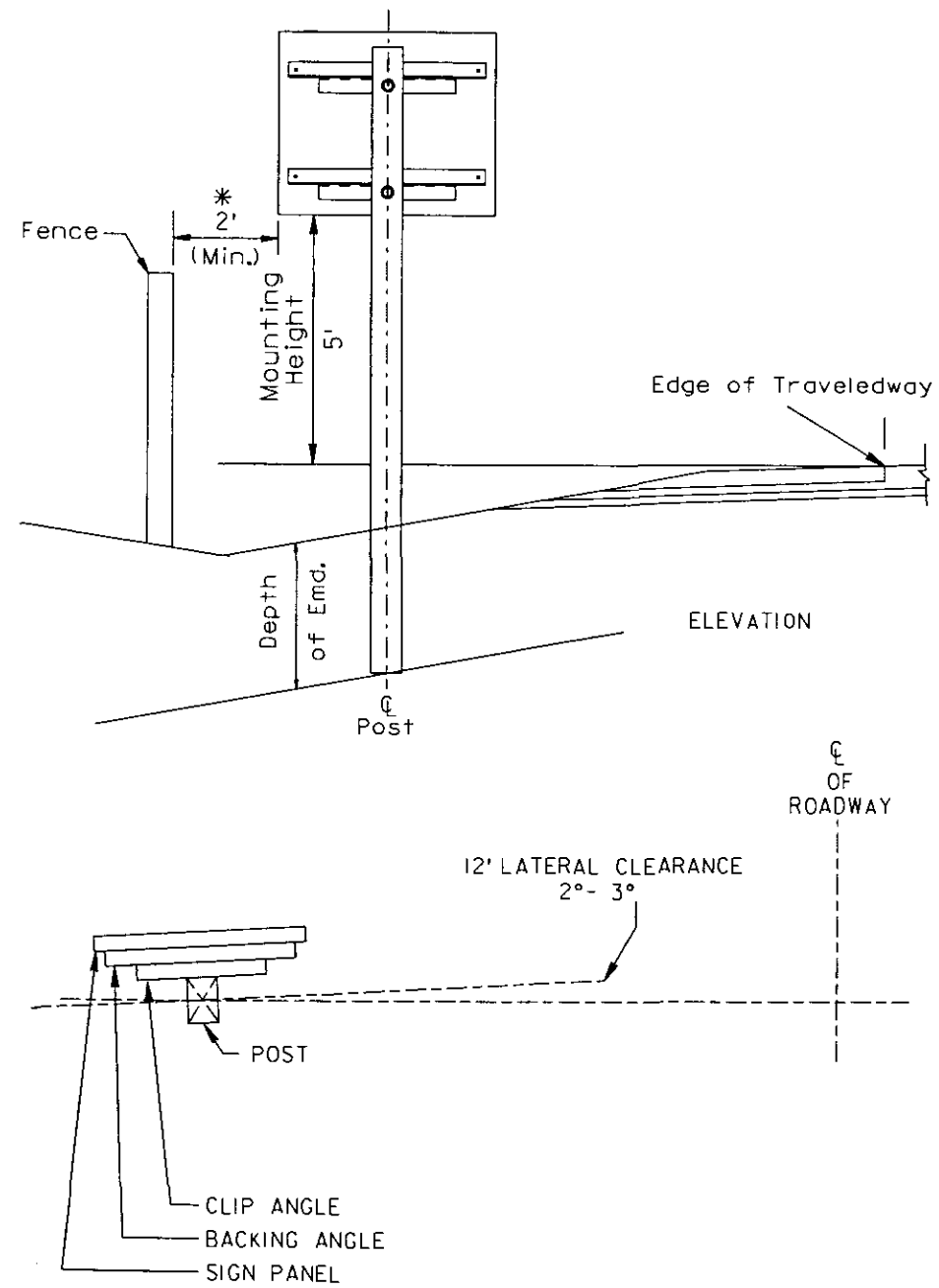


### LATERAL CLEARANCE BEHIND GUARDRAIL

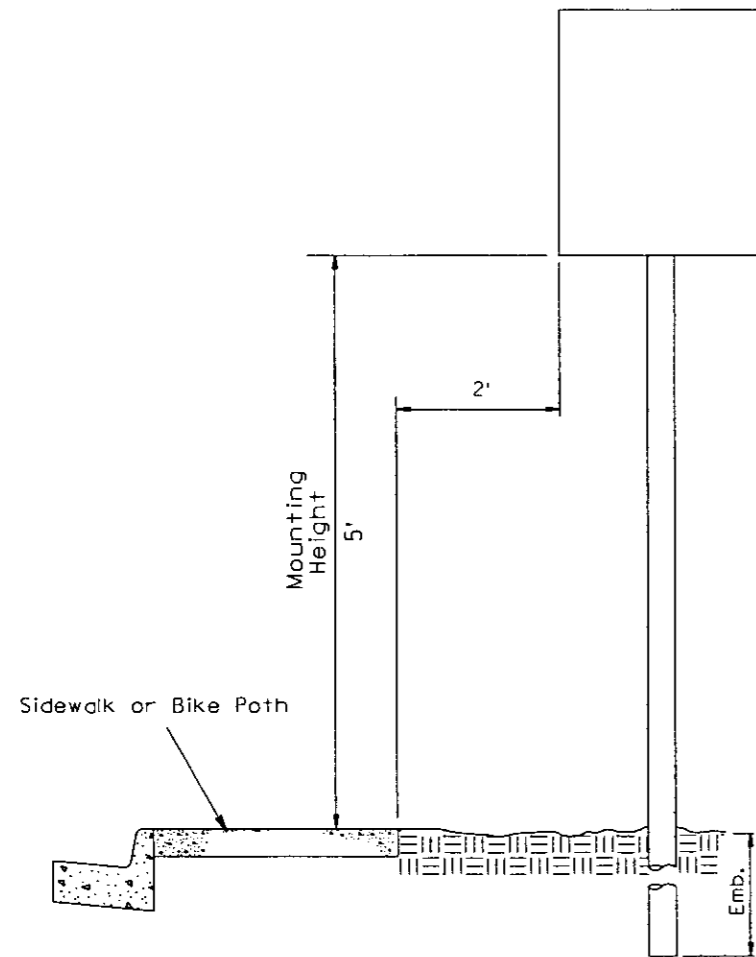


**SIGN STRUCTURES  
STATEWIDE RAILROAD CROSSING  
ADVANCE WARNING SIGNS  
SHEET 4 OF 8**

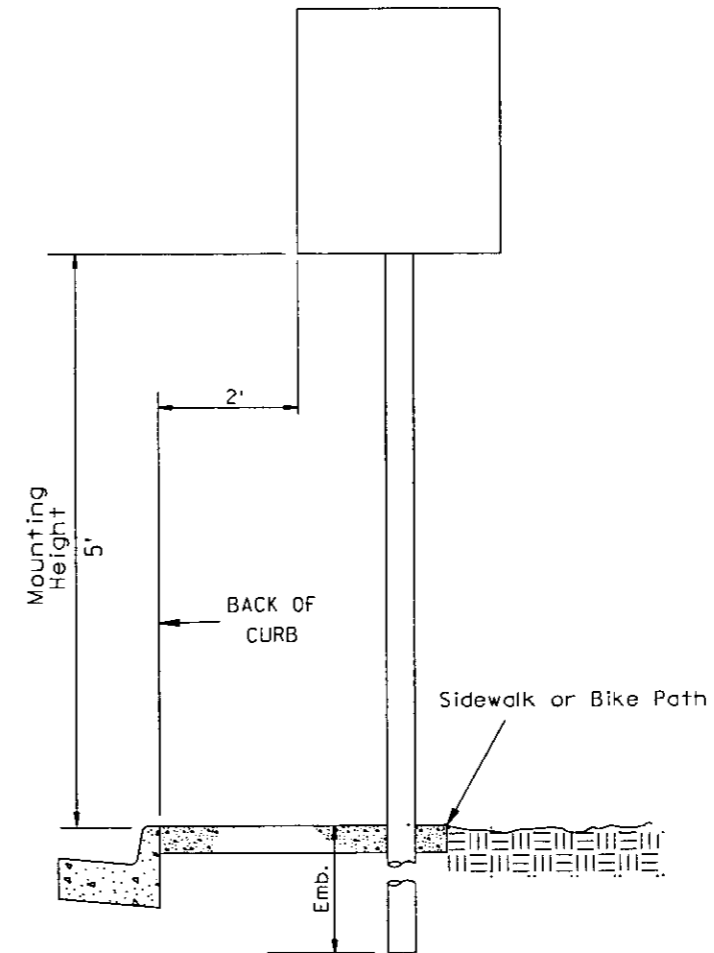
### TYPICAL ONE POST INSTALLATION



### TYPICAL CURB INSTALLATION ONE, TWO, OR THREE POST

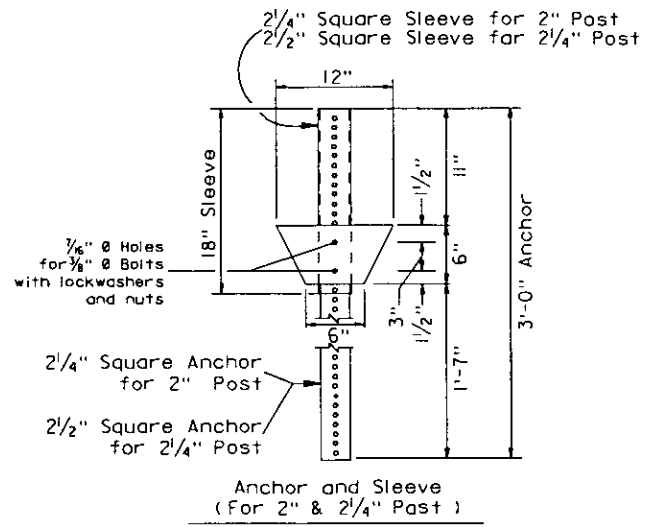
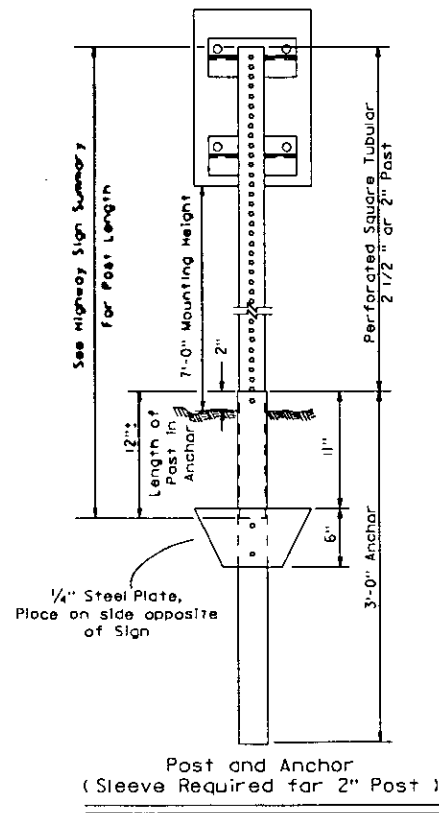


**TYPICAL BACK OF SIDEWALK  
INSTALLATION**



**TYPICAL CURB INSTALLATION  
ONE, TWO, OR THREE POST**

# PERFORATED SQUARE TUBULAR STEEL POST BREAKAWAY ROADSIDE SIGNS



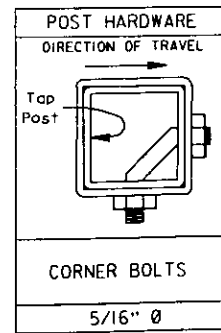
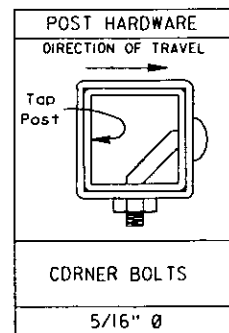
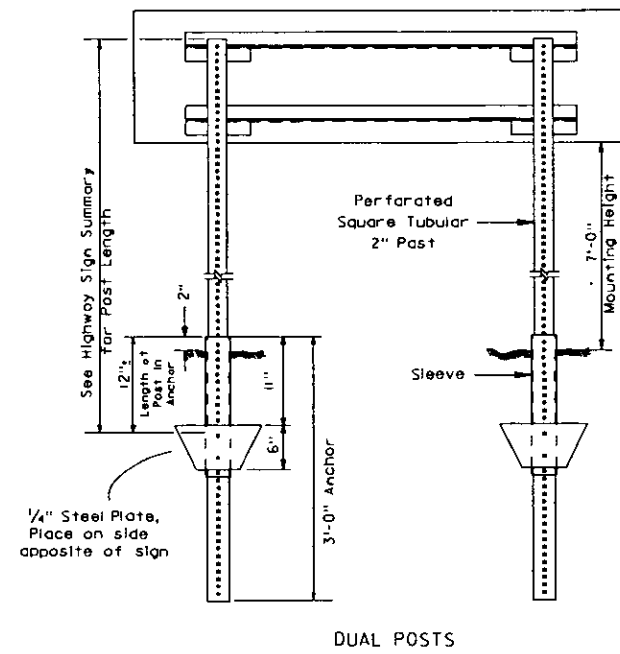
## MEMBER SIZE

ASTM A570 Steel, Fy=60 Ksi (min)		
POST SIZE	ANCHOR SIZE	SLEEVE SIZE
2" X 2" X 12 Ga.	2 1/4" X 2 1/4" X 12 Ga.	2 1/2" X 2 1/2" X 12 Ga.
2 1/4" X 2 1/4" X 12 Ga.	2 1/2" X 2 1/2" X 12 Ga.	3" X 3" X 3/16"
2 1/2" X 2 1/2" X 12 Ga.	3" X 3" X 3/16"	-

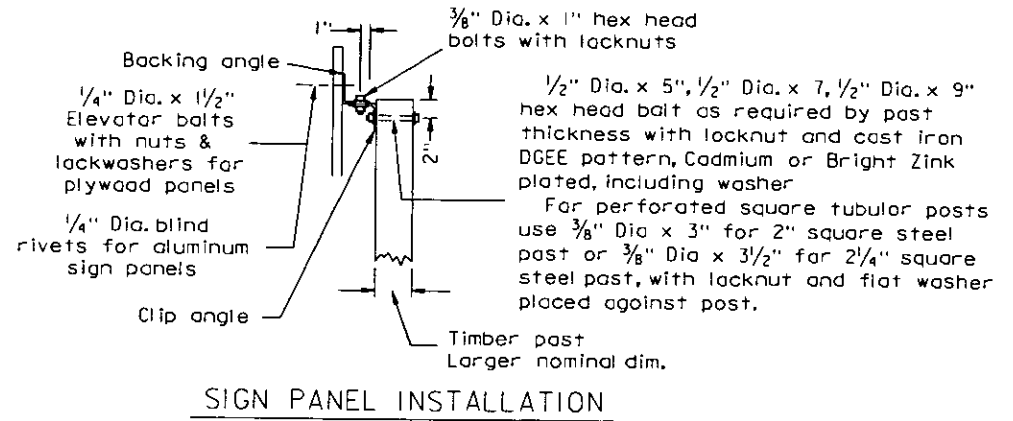
12 Ga = 0.105"

**NOTE:**

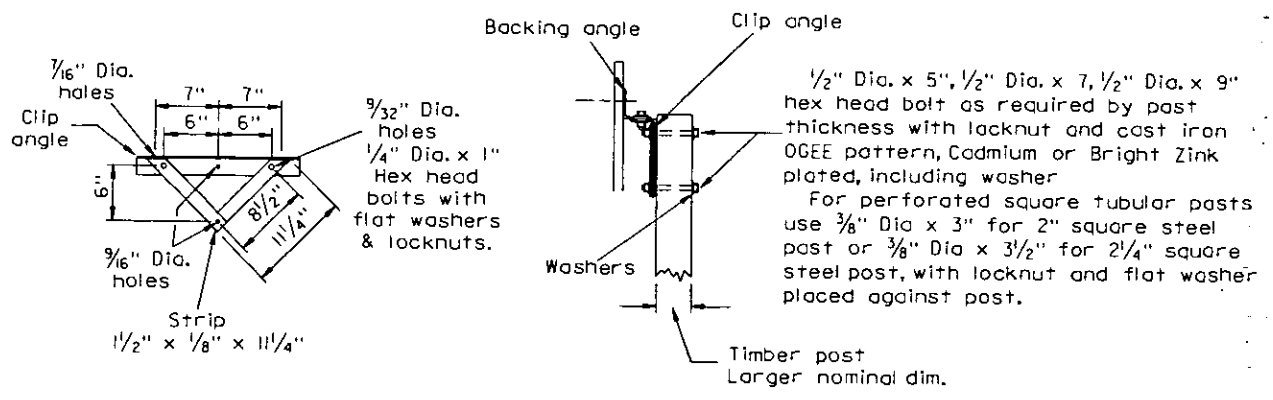
- 1) Fabricate tubular steel sign posts from steel sheets conforming to ASTM A 570, Grade 50, or ASTM A 653, Structural Quality, Grade 50. Galvanize posts in accordance with ASTM A 653, G90 or G140. Galvanize all connecting hardware.
- 2) Provide certification from manufacturer of posts that materials furnished have chemistries, mechanical properties and geometries consistent with materials used in the latest accepted breakaway testing, and that supports made from the materials will meet FHWA breakaway requirements.



## TIMBER AND TUBULAR STEEL POST STRUCTURES DETAILS

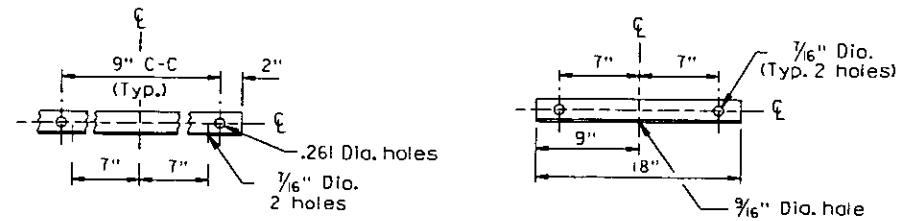


SIGN PANEL INSTALLATION



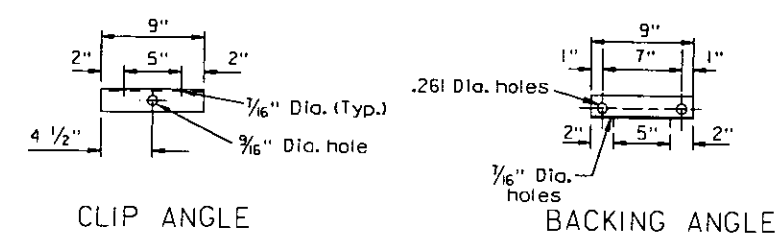
SINGLE BACKING ANGLE

NOTE: For size of backing and clip angles see Sign Summary



BACKING ANGLE

CLIP ANGLE



CLIP ANGLE

BACKING ANGLE

## STANDARD BREAKAWAY TIMBER POST DETAILS SINGLE OR MULTIPLE POST INSTALLATIONS

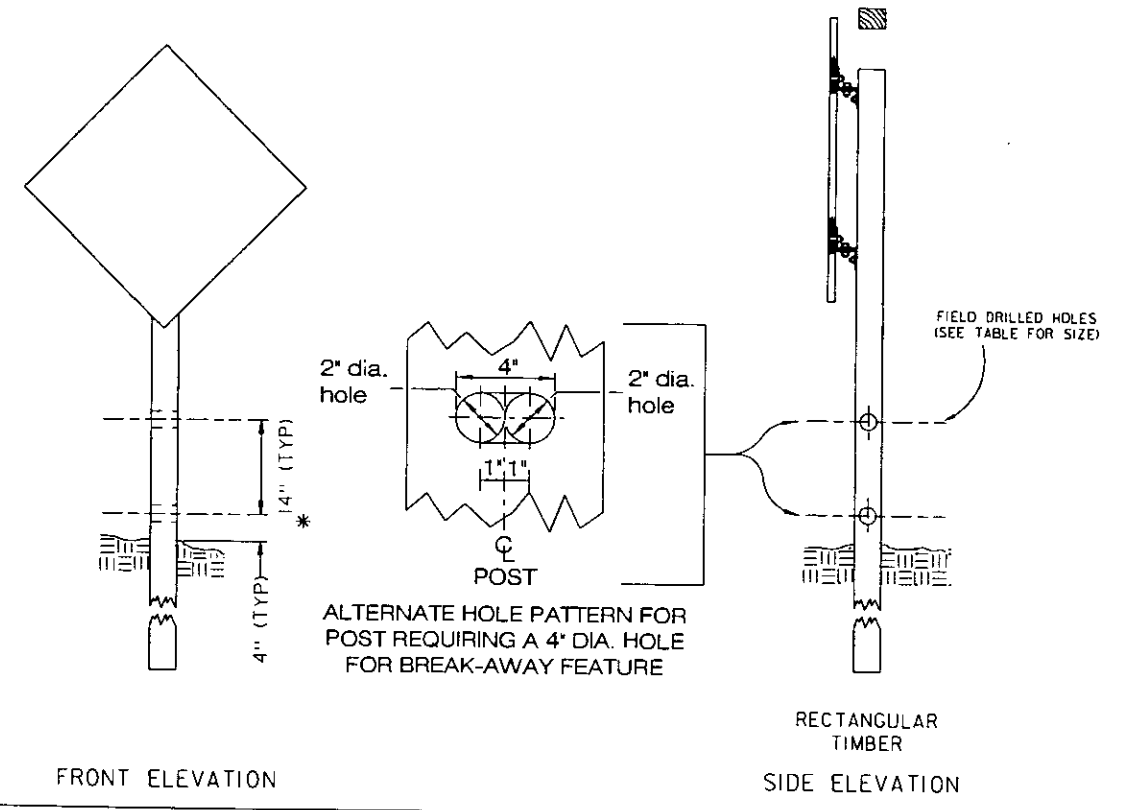


TABLE OF HOLE DIAMETERS						
SURFACED TIMBER POSTS						
POST SIZE (Stated)	4"x4"	4"x6"	6"x6"	6"x8"	8"x8"	10"x10"
POST SIZE (Actual)	(3.5"x3.5")	(3.5"x5.5")	(5.5"x5.5")	(5.5"x7.5")	(7.5"x7.5")	(9.5"x9.5")
HOLE DIAMETER	NO HOLE	1 1/2"Ø	2"Ø	3"Ø	3"Ø	4"Ø
ROUGH DIMENSIONED TIMBER POSTS						
POST SIZE	4"x4"	4"x6"	6"x6"	6"x8"	8"x8"	10"x10"
HOLE DIAMETER	1"Ø	2"Ø	2 1/2"Ø	4"Ø	4"Ø	4"Ø

\* POST SIZE MEASURED 4" ABOVE GROUND LINE FOR BREAK-AWAY FEATURE.

**SIGN STRUCTURES  
STATEWIDE RAILROAD CROSSING  
ADVANCE WARNING SIGNS  
SHEET 8 OF 8**